

# HCMOS/TTL COMPATIBLE SURFACE-MOUNT PROGRAMMABLE CRYSTAL CLOCK OSCILLATOR



7.0 x 5.0 x 1.6mm

AP7S



**RoHS**  
Compliant

## FEATURES:

- Comparable performance to fixed frequency oscillator
- Lowest peak-to-peak jitter
- Low supply current
- Short lead time
- Suitable for mass production
- Alternative to long lead-time XO's

**For Small Quantities,  
Delivery Time  
is 1-5 days**

## ELECTRICAL SPECIFICATIONS: Die IC's Part Number PL611-20

Characteristics	Unit	Minimum	Typical	Maximum
<b>Frequency Range (3.3V)</b>	MHz	10	--	200
<b>(2.5V)</b>	MHz	10	--	166
<b>Operating Temperature Range (See Options)</b>	°C	0	--	+70
<b>Storage Temperature Range (See Options)</b>	°C	-55	--	125
<b>Over all Frequency Stability * (See Options)</b>	ppm	-100	--	100
<b>Input Voltage (Operating Vdd)</b>	V	2.97	3.3	3.63
	V	2.25	2.5	2.75
<b>Input Current (3.3V)</b>	mA	--	--	20
	<b>(2.5V)</b>	mA	--	30
<b>Symmetry at 1/2Vdd</b>	%	45	50	55
<b>Rise and fall time (Tr/Tf)**</b>	nsec	--	2.5	3.5
<b>Output Voltage</b>				
	<b>VOH</b>	V	--	Vdd-0.4min
<b>VOL</b>	V	0.4V max	--	--
<b>Start-up Time</b>	msec	--	--	10
<b>Tri-state Function (Input to pin 1)</b>		pin 1 : High or Open , pin 3 : Enable		
		pin 1 : Low , pin 3 : Disable		
<b>Jitter peak-to-peak</b>	psec	--	50	100
<b>Phase jitter (RMS, 12kHz to 20MHz)</b>	psec	--	2.5	--
<b>Output type</b>	--	CMOS		

\* Inclusive of calibration @25°C, operating temperature range, input voltage variation, load variation, aging, shock, and vibration.

\*\* Transition times are measured between 10% and 90% of Vdd with an output load of 15 pf.

## OPTIONS & PART IDENTIFICATION:

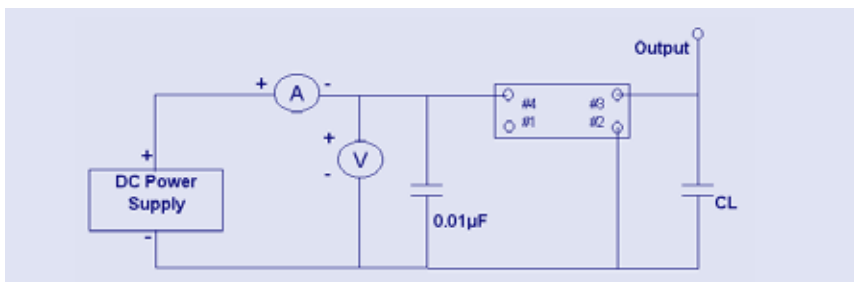
(Left blank if standard)

AP7S□-Frequency-□-□-□

Supply Voltage		Operating Temp.		Freq. Stability		Packaging	
Blank*	3.3 V	I	0°C to +50°C	J**	±20ppm	Blank	Bulk
1	2.5 V	D	-10°C to +60°C	R**	±25ppm	T	Tape and Reel
*3.3V : Standard		E	-20°C to +70°C	K	±30ppm		
		F	-30°C to +70°C	C	±50ppm		
		N	-30°C to +85°C				
		L	-40°C to +85°C				

\*\* Available for I, D, or E temp options only.  
Contact ABRACON for EJ or LR options. (Availability limited)

## TEST CIRCUIT:



ABRACON IS  
ISO 9001 / QS 9000  
CERTIFIED

**ABRACON**  
CORPORATION

Visit [www.abracon.com](http://www.abracon.com) for Terms & Conditions of Sale **Revised: 11.18.08**  
30332 Esperanza, Rancho Santa Margarita, California 92688  
tel 949-546-8000 | fax 949-546-8001 | [www.abracon.com](http://www.abracon.com)

# HCMOS/TTL COMPATIBLE SURFACE-MOUNT PROGRAMMABLE CRYSTAL CLOCK OSCILLATOR



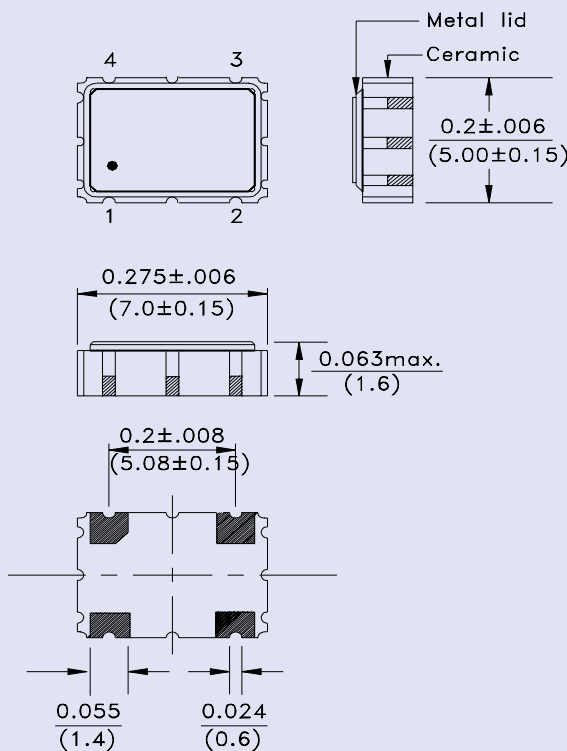
7.0 x 5.0 x 1.6mm

AP7S



RoHS  
Compliant

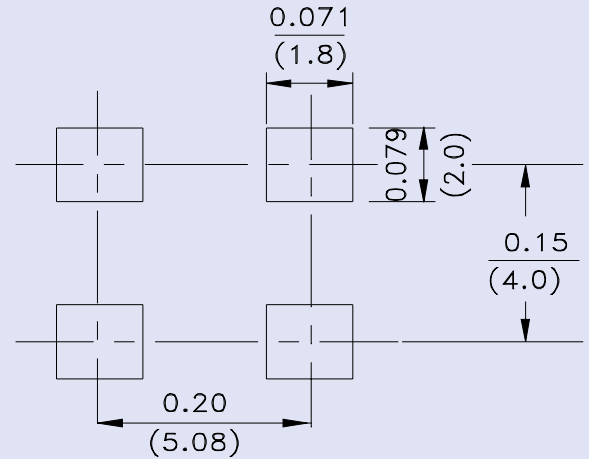
## OUTLINE DRAWING:



Bottom view

Dimensions: Inches (mm)

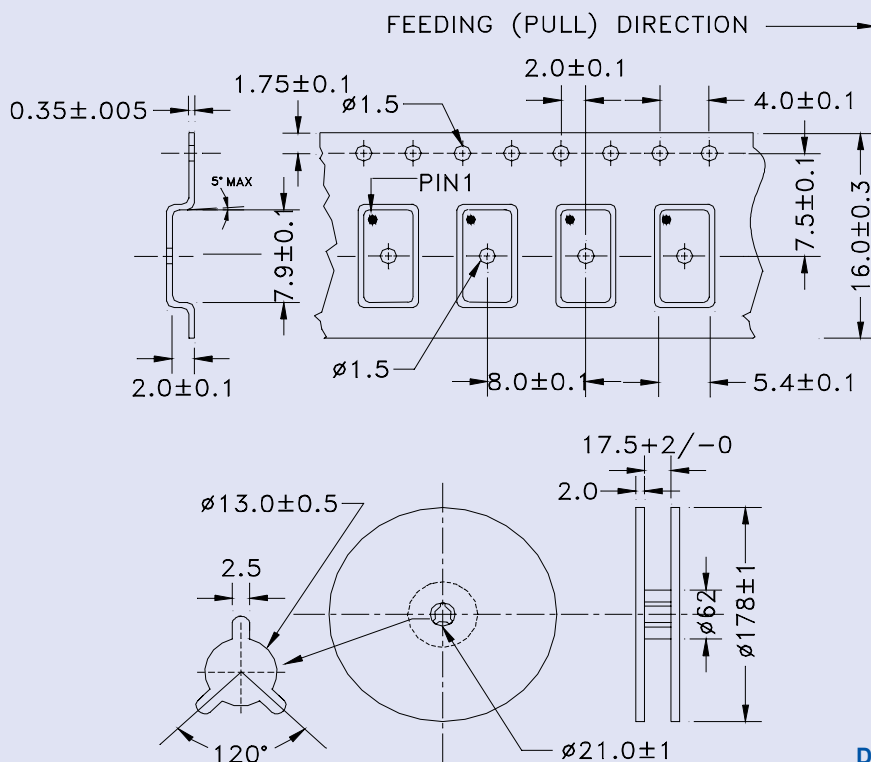
## Recommended land pattern



PIN	CONNECTION
# 1	OE
# 2	GND/CASE
# 3	OUTPUT
# 4	VDD

**Note:** It is recommended to use an approximately 0.01uF bypass capacitor between PIN 2 and 4.

## TAPE & REEL:



Dimensions: mm

ABRACON IS  
ISO 9001 / QS 9000  
CERTIFIED



Visit [www.abracon.com](http://www.abracon.com) for Terms & Conditions of Sale **Revised: 11.18.08**  
30332 Esperanza, Rancho Santa Margarita, California 92688  
tel 949-546-8000 | fax 949-546-8001 | [www.abracon.com](http://www.abracon.com)