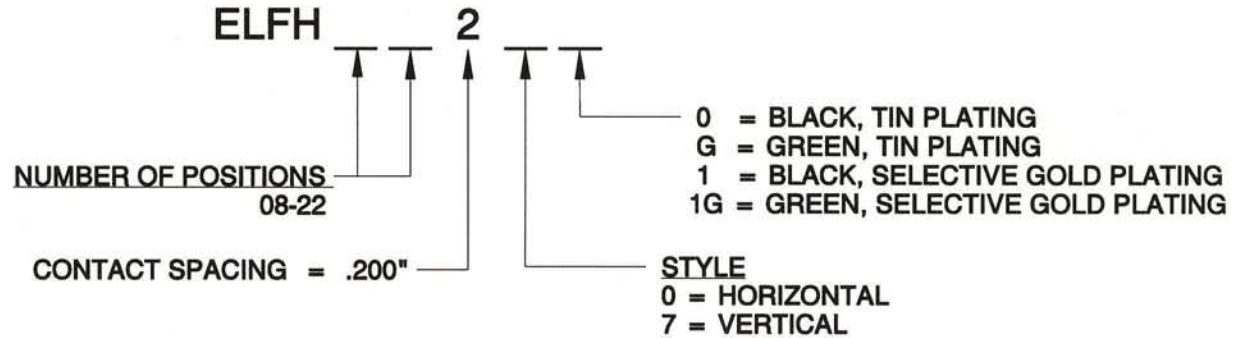


REV	ECN	APP'D
-	4032	IQ 7/11/00
A	4368	IQ 5/58/01
B	5742	RW 12/28/05

ELFH ASSEMBLY PART NUMBERING SCHEME



RATINGS

CURRENT - 20A
VOLTAGE - 300V
U.L. FILE NO. E83421



RATINGS

CURRENT - 20A
VOLTAGE - 300V
CSA FILE NO. LR69703

DIN VDE 0627:1986
DIN VDE 0110-1:1989
EN 60947-1:1991
EN 60947-7-1:1992

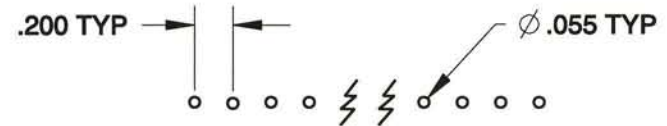
CURRENT - 15 A
VOLTAGE - 300 V
TUV FILE NO. 20396

MATERIALS:

HOUSING: NYLON, UL 94 V-0
CONTACT: COPPER ALLOY, FINISH:
TIN, 200-300 MICROINCH
OVER NICKEL, 50-100 MICROINCH.

MAX OPERATING TEMPERATURE:
105° C

PRINTED CIRCUIT BOARD CONFIGURATION



RECOMMENDED PCB THICKNESS: .062 ± .008

DIMENSIONS

ANSI Y14.5M
UNITS: INCHES
Pro/E FILE

TOLERANCES

.XX ±0.01
.XXX ±0.005
ANGLES ±2.0°

PROJECTION



Amphenol Pcd

ENGR

S. KONDO 6/30/00

CHKD

ALAN PATRIE 7/11/00

APPD

I. QUINN 7/11/00

TITLE

ELF SERIES HEADER
WITH EJECTOR EARS
.200" CL

SIZE

A

DWG NO.

ELFH08200

REV

B

CODE: 58982

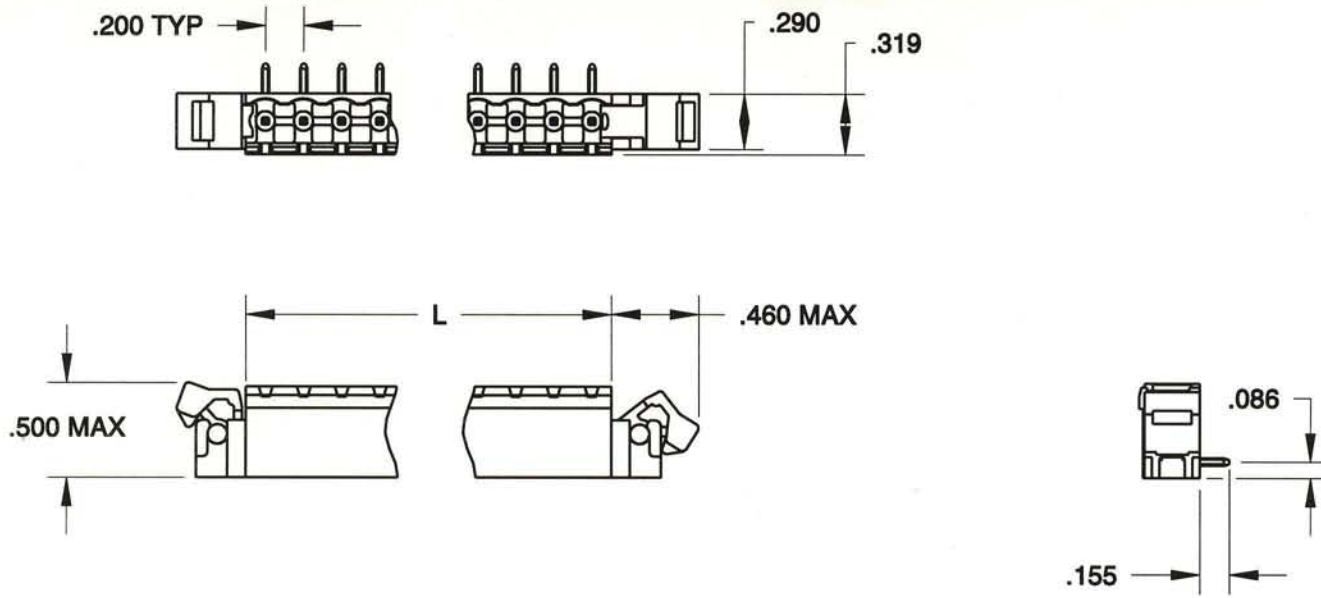
SCALE: NONE

SHEET 1 OF 2

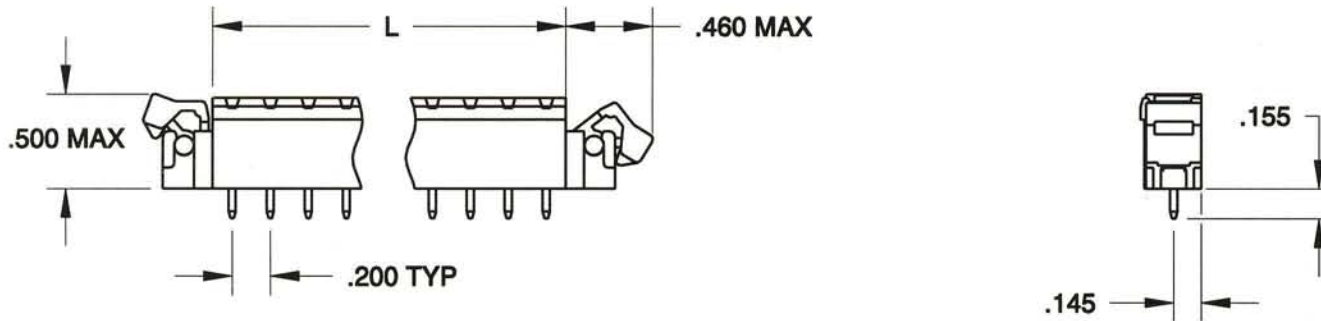
ORIGINAL
STAMPED
IN RED

THIS DOCUMENT CONTAINS
PROPRIETARY INFORMATION WHICH
IS THE CONFIDENTIAL PROPERTY
OF AMPHENOL PCD, INC.
PEABODY, MA, USA

HORIZONTAL



VERTICAL



L = NUMBER OF POS. X .200



SIZE	DWG NO.	REV
A	ELFH08200	B
CODE: 58982	SCALE: NONE	SHEET 2 OF 2