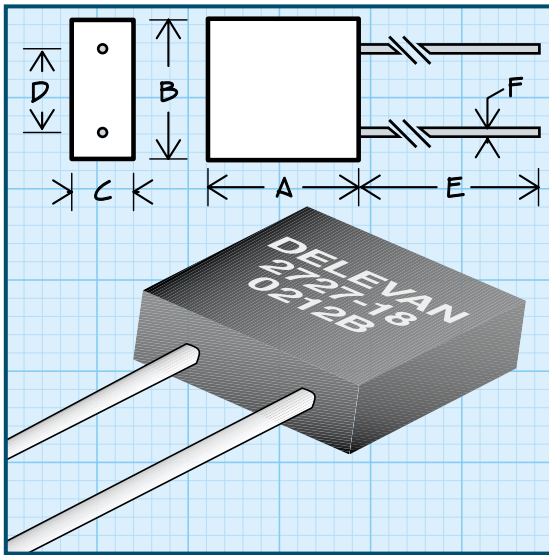


Radial Toroidal Inductors



Military Specification MS-21424 REF.

Physical Parameters

	Inches	Millimeters
A	0.270 to 0.300	6.86 to 7.62
B	0.260 to 0.280	6.60 to 7.11
C	0.140 to 0.160	3.56 to 4.06
D	0.190 to 0.210	4.83 to 5.33
E	1.00 Min.	25.40 Min.
F	0.023 to 0.027	0.584 to 0.686

Current Rating at 90°C Ambient 35°C Rise

Operating Temperature -55°C to +125°C

Maximum Power Dissipation at 90°C 0.33 W

Core Material Iron

Weight Max. (Grams) 1.0

Lead Size AWG #22 TCW

Packaging Bulk only

Made in the U.S.A.

DASH NUMBER*	INDUCTANCE (μH) @ ±5%	Q MINIMUM	TEST FREQUENCY (MHz)	SRF MINIMUM (MHz)	DC RESISTANCE MAXIMUM (OHMS)	CURRENT RATING MAXIMUM (mA)
SERIES 2727 IRON CORE						
-01J	10.0	75	2.5	35	1.1	420
-02J	12.0	75	2.5	31	1.3	385
-03J	15.0	75	2.5	27	1.5	360
-04J	18.0	80	2.5	24	1.9	320
-05J	22.0	80	2.5	22	2.3	290
-06J	27.0	80	2.5	20	2.7	265
-07J	33.0	80	2.5	18	3.3	240
-08J	39.0	80	2.5	16	3.9	220
-09J	47.0	80	2.5	14	4.7	200
-10J	56.0	80	2.5	12	5.6	185
-11J	68.0	80	2.5	11	6.8	165
-12J	82.0	80	2.5	10	8.1	155
-13J	100.0	80	2.5	9.1	9.7	140
-14J	120.0	45	0.79	8.2	12	125
-15J	150.0	45	0.79	7.3	14	115
-16J	180.0	45	0.79	6.4	17	105
-17J	220.0	50	0.79	5.6	20	96
-18J	270.0	55	0.79	5.0	24	90
-19J	330.0	55	0.79	4.4	19	100
-20J	390.0	55	0.79	3.9	22	93
-21J	470.0	55	0.79	3.5	27	84
-22J	560.0	55	0.79	3.1	32	77
-23J	680.0	55	0.79	2.8	19	100
-24J	820.0	50	0.79	2.5	23	92
-25J	1000.0	50	0.79	2.2	27	84

*Complete part # must include series # PLUS the dash #

For further surface finish information, refer to TECHNICAL section of this catalog.