

Series 3483R & S3483R

RoHS
Compliant

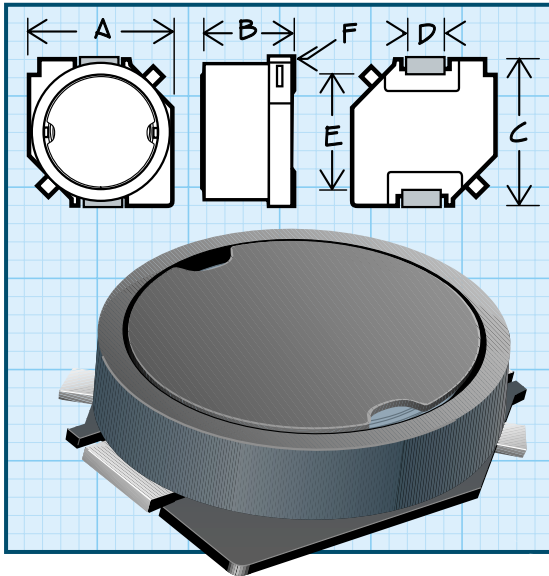
Surface Mount Power Inductors

DASH NUMBER*

INDUCTANCE @ 100 KHz
(μH) ±20%

DC RESISTANCE
MAXIMUM (OHMS)

CURRENT RATING
MAXIMUM (Amps)



Physical Parameters

	Inches	Millimeters
A	0.276 to 0.299	7.0 to 7.6
B	0.114 to 0.138	2.9 to 3.5
C	0.276 to 0.299	7.0 to 7.6
D	0.067 to 0.091	1.7 to 2.3
E	0.201 to 0.224	5.1 to 5.7
F	0.033 Nom.	0.85 Nom.

F = Electrode Thickness

Current Rating

The DC where inductance value decreases 10% or where the temperature rise is 40°C Max.

Operating Temperature Range -20°C to +80°C

Marking Printed with the last three numbers of the Delevan Part Number (i.e. 101)

Electrical Characteristics (Initial) @ 25°C

- Notes**
- 1) Miniature Surface Mount Type
 - 2) Low Profile
 - 3) Inductance Range is 1-100μH
 - 4) Available in Magnetically Shielded or Unshielded Versions

Packaging Tape and Reel for Auto Insertion (16mm): 13" reel, 1000 pieces max.; 7" reel not available.

SERIES 3483R - UNSHIELDED

-1R0M	1.0	0.022	2.88
-1R5M	1.5	0.026	2.67
-2R2M	2.2	0.032	2.40
-3R3M	3.3	0.041	2.08
-4R7M	4.7	0.049	1.92
-6R8M	6.8	0.067	1.60
-100M	10.0	0.085	1.41
-120M	12.0	0.100	1.28
-150M	15.0	0.130	1.12
-180M	18.0	0.160	1.00
-220M	22.0	0.180	0.93
-270M	27.0	0.240	0.80
-330M	33.0	0.290	0.72
-390M	39.0	0.340	0.66
-470M	47.0	0.410	0.59
-560M	56.0	0.480	0.55
-680M	68.0	0.600	0.49
-820M	82.0	0.710	0.44
-101M	100.0	0.950	0.38

SERIES S3483R - SHIELDED WITH FERRITE

-1R0M	1.0	0.019	3.12
-1R5M	1.5	0.023	2.85
-2R2M	2.2	0.028	2.66
-3R3M	3.3	0.035	2.26
-4R7M	4.7	0.043	1.96
-6R8M	6.8	0.055	1.76
-100M	10.0	0.080	1.34
-120M	12.0	0.090	1.23
-150M	15.0	0.120	1.09
-180M	18.0	0.130	0.99
-220M	22.0	0.150	0.90
-270M	27.0	0.210	0.81
-330M	33.0	0.250	0.72
-390M	39.0	0.310	0.67
-470M	47.0	0.350	0.60
-560M	56.0	0.430	0.55
-680M	68.0	0.520	0.50
-820M	82.0	0.600	0.46
-101M	100.0	0.790	0.41

*Complete part # must include series # PLUS the dash #

For further surface finish information, refer to TECHNICAL section of this catalog.