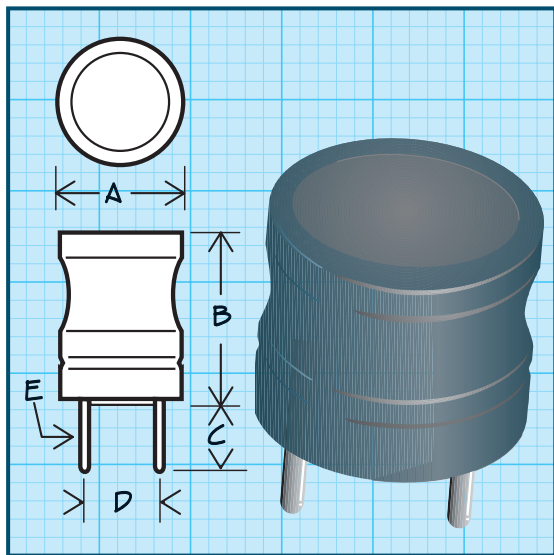


Radial Lead Inductors



Physical Parameters

Series 4554

	Inches	Millimeters
A	0.34 Max.	8.64 Max.
B	0.433 Max.	11 Max.
C	0.200 Nom.	5.0 Nom.
D	0.200 Nom.	5.0 Nom.
E	0.024 Nom.	0.61 Nom.

Series 4564

	Inches	Millimeters
A	0.315 Max.	8.0 Max.
B	0.440 Max.	11.2 Max.
C	0.200 Nom.	5.0 Nom.
D	0.200 Nom.	5.0 Nom.
E	0.028 Nom.	0.71 Nom.

Operating Temperature Range

Series 4554 -40°C to +85°C

Series 4564 -20°C to +80°C

Storage Temperature Range

Series 4554 -40°C to +85°C

Series 4564 -40°C to +80°C

The Rated DC Current The amperage where the inductance value decreases 10%.

**Note: Series 4554 Inductance Tolerance

Available in J=-5% in values ≥ 100µH only

Packaging Bulk

*Complete part # must include series # PLUS the dash #

For further surface finish information, refer to TECHNICAL section of this catalog.

DASH NUMBER*

INDUCTANCE**

TOLERANCE (%)

Q MINIMUM

TEST FREQUENCY (MHz)

SRF MINIMUM (MHz)

DC RESISTANCE MAXIMUM (OHMS)

CURRENT RATING MAXIMUM (A)

SERIES 4554							
-1R0M	1.0 µH	±20%	20	7.96	150.0	0.013	10.0
-1R5M	1.5 µH	±20%	20	7.96	130.0	0.016	8.5
-2R2M	2.2 µH	±20%	20	7.96	100.0	0.021	6.5
-3R3M	3.3 µH	±20%	20	7.96	79.0	0.025	5.5
-4R7M	4.7 µH	±20%	20	7.96	51.0	0.030	4.3
-6R8M	6.8 µH	±20%	20	7.96	29.0	0.035	3.7
-100K	10 µH	±10%	50	2.52	14.0	0.055	3.0
-120K	12 µH	±10%	50	2.52	13.0	0.060	2.6
-150K	15 µH	±10%	50	2.52	12.0	0.065	2.2
-180K	18 µH	±10%	40	2.52	11.0	0.085	2.0
-220K	22 µH	±10%	40	2.52	9.2	0.095	1.7
-270K	27 µH	±10%	40	2.52	8.5	0.120	1.6
-330K	33 µH	±10%	30	2.52	7.8	0.140	1.5
-390K	39 µH	±10%	30	2.52	6.9	0.160	1.4
-470K	47 µH	±10%	30	2.52	6.5	0.200	1.3
-560K	56 µH	±10%	30	2.52	5.4	0.210	1.2
-680K	68 µH	±10%	30	2.52	4.9	0.210	1.2
-820K	82 µH	±10%	30	2.52	4.1	0.230	1.1
-101K	100 µH**	±10%	20	0.796	3.7	0.290	0.91
-121K	120 µH**	±10%	20	0.796	3.4	0.320	0.84
-151K	150 µH**	±10%	20	0.796	3.2	0.450	0.75
-181K	180 µH**	±10%	20	0.796	2.8	0.580	0.69
-221K	220 µH**	±10%	20	0.796	2.7	0.650	0.64
-271K	270 µH**	±10%	20	0.796	2.4	0.800	0.57
-331K	330 µH**	±10%	20	0.796	2.3	0.900	0.54
-391K	390 µH**	±10%	20	0.796	2.1	1.0	0.48
-471K	470 µH**	±10%	20	0.796	1.9	1.1	0.46
-561K	560 µH**	±10%	20	0.796	1.8	1.4	0.41
-681K	680 µH**	±10%	20	0.796	1.6	1.6	0.38
-821K	820 µH**	±10%	20	0.796	1.5	1.8	0.35
-102K	1000 µH**	±10%	50	0.252	1.3	2.9	0.29

SERIES 4564							
-101K	0.10 mH	±10%	80	0.796	5.3	2.0	0.20
-121K	0.12 mH	±10%	80	0.796	4.5	2.0	0.20
-151K	0.15 mH	±10%	80	0.796	3.8	2.0	0.20
-181K	0.18 mH	±10%	80	0.796	3.3	3.0	0.20
-221K	0.22 mH	±10%	80	0.796	2.9	3.0	0.20
-271K	0.27 mH	±10%	80	0.796	2.6	3.0	0.20
-331K	0.33 mH	±10%	80	0.796	2.3	4.0	0.20
-391K	0.39 mH	±10%	80	0.796	2.1	4.0	0.20
-471K	0.47 mH	±10%	80	0.796	1.9	4.0	0.20
-561K	0.56 mH	±10%	80	0.796	1.7	4.0	0.20
-681K	0.68 mH	±10%	80	0.796	1.6	4.0	0.20
-821K	0.82 mH	±10%	80	0.796	1.4	6.0	0.20
-102K	1.00 mH	±10%	90	0.252	1.3	6.0	0.15
-122K	1.20 mH	±10%	90	0.252	1.2	9.0	0.15
-152K	1.50 mH	±10%	90	0.252	1.1	9.0	0.15
-182K	1.80 mH	±10%	90	0.252	1.0	9.0	0.10
-222K	2.20 mH	±10%	90	0.252	0.9	13.0	0.10
-272K	2.70 mH	±10%	90	0.252	0.8	13.0	0.10
-332K	3.30 mH	±10%	90	0.252	0.7	13.0	0.10
-392K	3.90 mH	±10%	90	0.252	0.7	13.0	0.05
-472K	4.70 mH	±10%	90	0.252	0.6	18.0	0.05
-562K	5.60 mH	±10%	90	0.252	0.6	18.0	0.05
-682K	6.80 mH	±10%	90	0.252	0.5	26.0	0.05
-822K	8.20 mH	±10%	90	0.252	0.5	26.0	0.05
-103K	10.0 mH	±10%	100	0.0796	0.4	40.0	0.04
-123K	12.0 mH	±10%	100	0.0796	0.4	40.0	0.04
-153K	15.0 mH	±10%	100	0.0796	0.4	60.0	0.04
-183K	18.0 mH	±10%	100	0.0796	0.3	60.0	0.03
-223K	22.0 mH	±10%	100	0.0796	0.3	80.0	0.03
-273K	27.0 mH	±10%	100	0.0796	0.2	80.0	0.03
-333K	33.0 mH	±10%	100	0.0796	0.2	80.0	0.03

Series 4564: Optional Tolerances: J = 5%