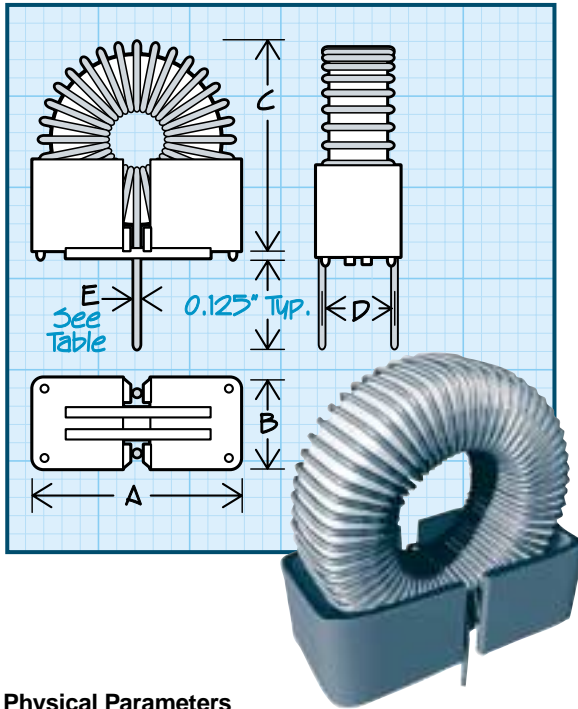


Series SPSTxxxR SPST

ROHS
Compliant

Traditional
First Quality

High Frequency Switchmode Power Toroid



Physical Parameters

SPST-	44	50	68	80	106
A (typ.) in.	0.625	0.700	0.875	0.975	1.300
mm	15.875	17.780	22.225	24.765	33.020
B (typ.) in.	0.350	0.475	0.475	0.625	0.725
mm	8.890	12.065	12.065	15.875	18.415
C (min.) in.	0.700	0.750	0.950	1.100	1.400
mm	17.780	19.050	24.130	27.940	35.560
D (ref.) in.	0.250	0.300	0.300	0.450	0.500
mm	6.350	7.620	7.620	11.430	12.700

Dimension E – see table

Mechanical Configuration

Vertical Mount Power Toroid

Current Rating 40°C rise maximum over 20°C Ambient at rated current

Windings are single layer to maximize operating frequency and maximize board space

Marking Part supplied unmarked; Pre-printed label can be supplied upon request

Leads Tinned leads extending above seating plane

Other values available upon request

Packaging Bulk only

PART NUMBER*
WITHOUT CURRENT
WITH RATED BIAS CURRENT
RATED BIAS CURRENT (ADC)
DC RESISTANCE MAXIMUM (OHMS)
WEIGHT (TYP.) GRAMS
DIMENSION E - LEAD DIAMETER

MINIMUM
INDUCTANCE (μH)
@ 100 KHz, 0.25V

SERIES SPST

	WITHOUT CURRENT	WITH RATED BIAS CURRENT	RATED BIAS CURRENT (ADC)	DC RESISTANCE MAXIMUM (OHMS)	WEIGHT (TYP.) GRAMS	DIMENSION E - LEAD DIAMETER
SPST44-1	18.85	12.72	2.8	0.045	3.6	0.020
SPST44-2	14.75	9.82	3.4	0.031	3.6	0.022
SPST44-3	12.30	7.75	4.0	0.024	3.6	0.025
SPST44-4	8.06	5.22	4.8	0.016	3.6	0.028
SPST50-1	47.70	29.00	2.8	0.079	5.4	0.020
SPST50-2	35.48	23.77	3.4	0.058	5.4	0.022
SPST50-3	27.16	16.13	4.0	0.041	5.4	0.025
SPST50-4	21.65	12.27	4.8	0.030	5.4	0.028
SPST50-5	16.76	9.50	5.7	0.020	5.4	0.032
SPST50-6	12.50	6.75	6.8	0.014	5.4	0.036
SPST50-7	8.86	4.80	8.1	0.011	5.4	0.040
SPST68-1	89.50	57.99	2.8	0.108	11.7	0.020
SPST68-2	71.10	41.59	3.4	0.087	11.7	0.022
SPST68-3	54.81	33.05	4.0	0.060	11.7	0.025
SPST68-4	43.30	26.63	4.8	0.043	11.7	0.028
SPST68-5	33.15	18.79	5.7	0.029	11.7	0.032
SPST68-6	24.31	13.56	6.8	0.021	11.7	0.036
SPST68-7	18.64	10.23	8.1	0.015	11.7	0.040
SPST80-1	128.00	74.04	4.0	0.096	20.3	0.026
SPST80-2	107.50	58.05	4.8	0.068	20.3	0.028
SPST80-3	80.75	42.00	5.7	0.045	20.3	0.032
SPST80-4	65.04	31.60	6.8	0.033	20.3	0.036
SPST80-5	47.70	22.79	8.1	0.023	20.3	0.040
SPST80-6	38.07	18.11	9.7	0.017	20.3	0.045
SPST106-1	253.00	153.00	4.0	0.139	40.5	0.026
SPST106-2	197.00	113.00	4.8	0.106	40.5	0.028
SPST106-3	154.00	84.00	5.7	0.074	40.5	0.032
SPST106-4	116.00	61.90	6.8	0.049	40.5	0.036
SPST106-5	93.00	48.00	8.1	0.040	40.5	0.040
SPST106-6	70.05	35.30	9.7	0.024	40.5	0.045

*Complete part # must include series # PLUS the dash #

For further surface finish information,
refer to TECHNICAL section of this catalog.

POWER INDUCTORS