



Bi-Sonic

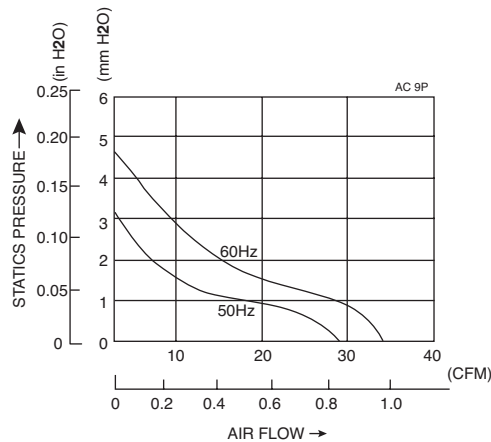
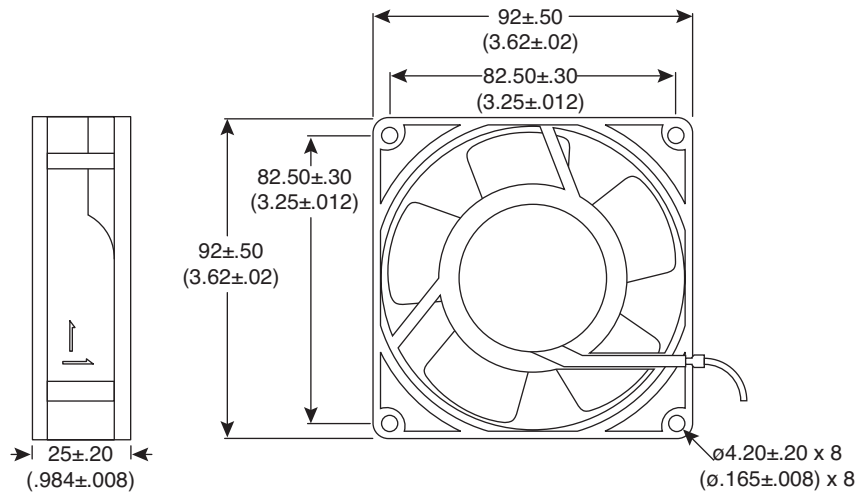
AC Tubeaxial Fan

433-9P-115HB

Date Last Revised: 7-17-06

BI-200002

Dimensions: mm (In.)



Electrical Specifications:

- Weight: 280g
- Rated voltage: 115VAC
- Frequency: 60Hz
- Max. rated current: 140mA
- Max. input power: 14W
- Speed: 2900 R.P.M.
- Max. air flow: 34.17 CFM
- Max. air pressure: 4.21mmH₂O
0.17 IN H₂O
- Noise: 41dB-A

Mechanical Specifications:

- Operating temperature: -30°C to +75°C

Materials:

- Housing: die-cast aluminum
- Impeller: glass fiber reinforced plastic
UL 94V-0 rating, impedance protected
- Bearing: Ball



Note:

- RoHS Compliant by exemption

Available from Mouser Electronics

1-800-346-6873

www.mouser.com