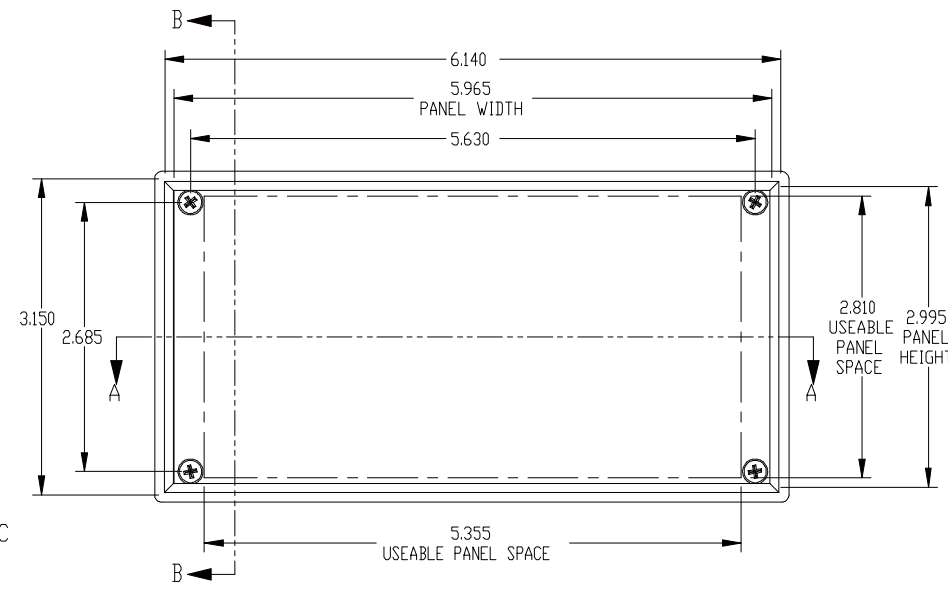
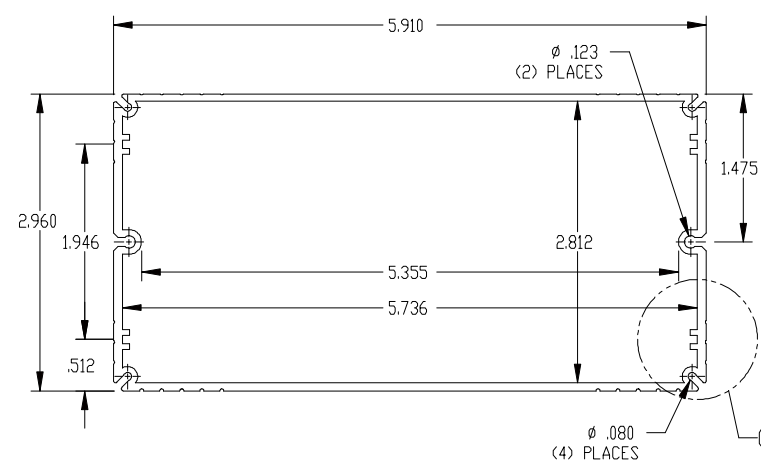
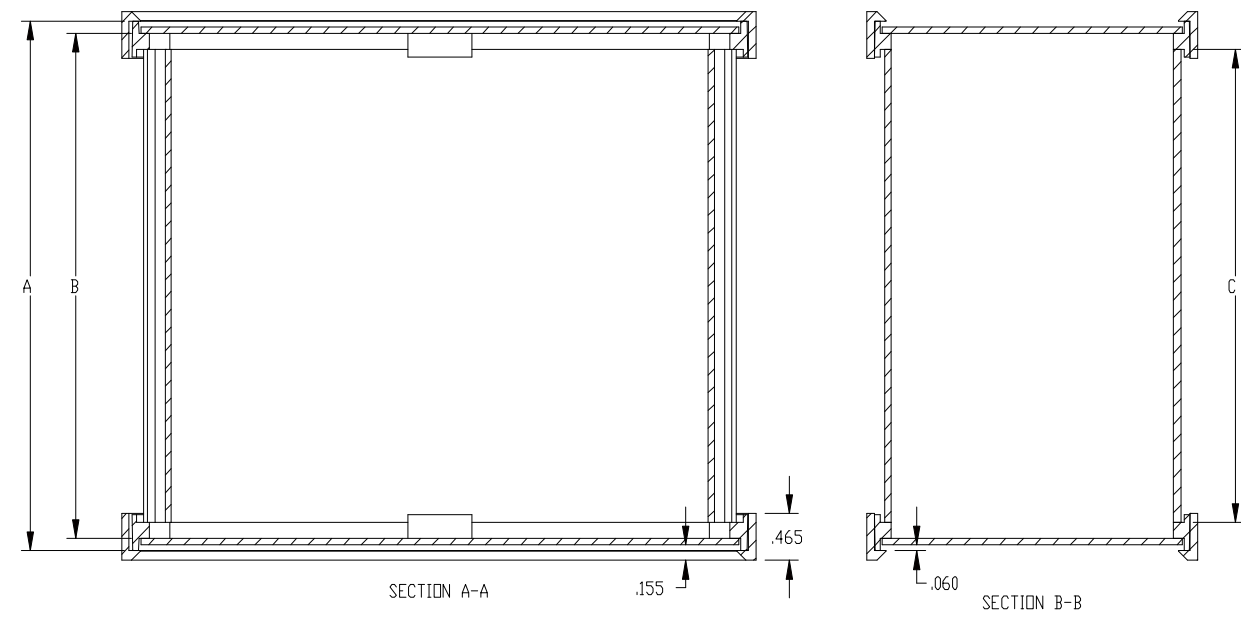
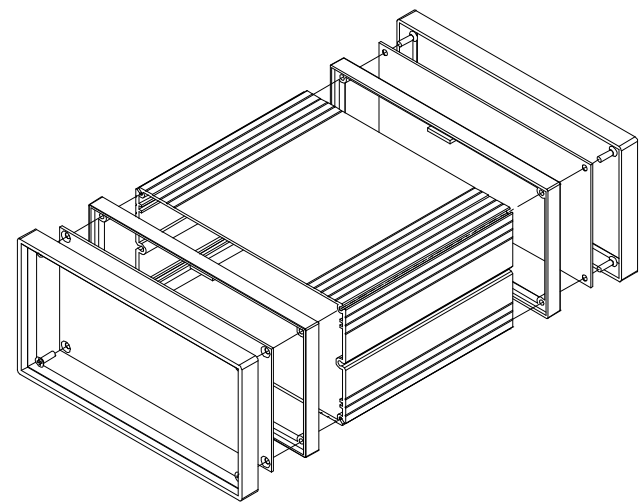


| | | | |
|-----------|-----------------------|----------|-----------------------------|
| PART NAME | EXTRUDED ALUMINUM BOX | PART No. | EX-4521 & EX-4522 & EX-4523 |
|-----------|-----------------------|----------|-----------------------------|

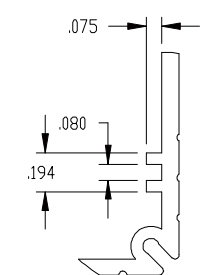


MATERIAL:
 BODY - ALUMINUM
 BEZEL - UL94V-0 ABS
 PANEL - .060 THK. ALUMINUM

FINISH:
 BODY - SILVER COATING
 BEZEL - BLACK
 PANEL - NATURAL

EIGHT (8) M3 x 10mm FLAT HEAD SCREWS SUPPLIED TO ATTACH END PANELS AND BEZELS TO BODY (ALTERNATE SCREW #4 x 5/8 FLAT HEAD THREAD CUTTING SCREWS CAN BE SUBSTITUTED) RECOMMEND INSERTION TORQUE 6-8 in-lbs.

ALL DIMENSIONS HAVE ±.015 TOLERANCE UNLESS OTHERWISE SPECIFIED



| PART No. | INTERNAL CLEARANCE | | |
|----------|--------------------|------|------|
| | A | B | C |
| EX-4521 | 5.38 | 5.14 | 4.82 |
| EX-4522 | 6.96 | 6.72 | 6.40 |
| EX-4523 | 9.26 | 9.02 | 8.66 |