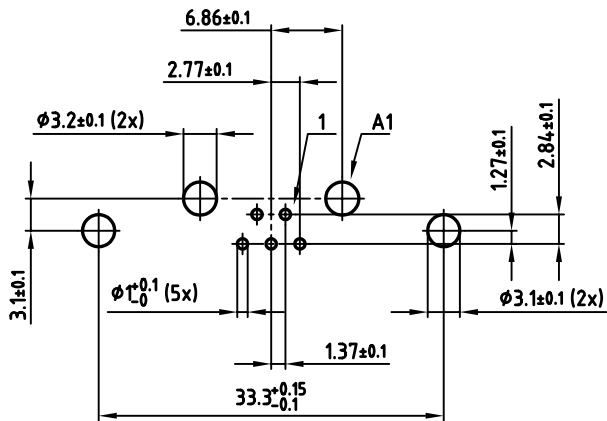
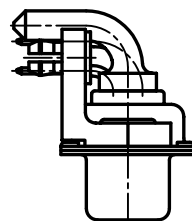
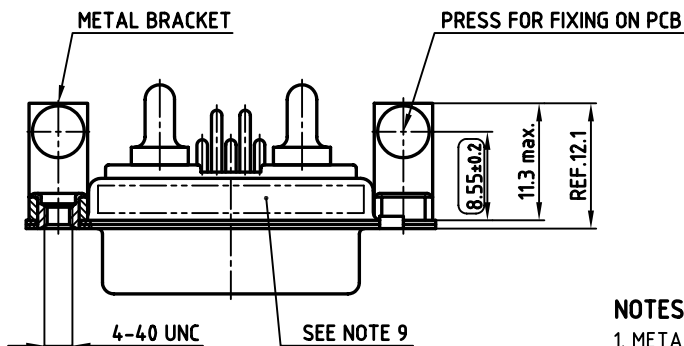
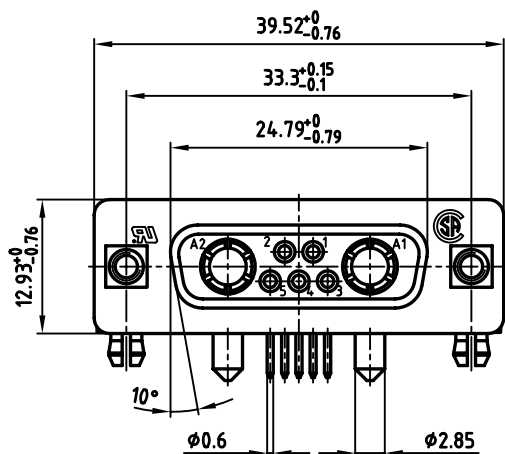
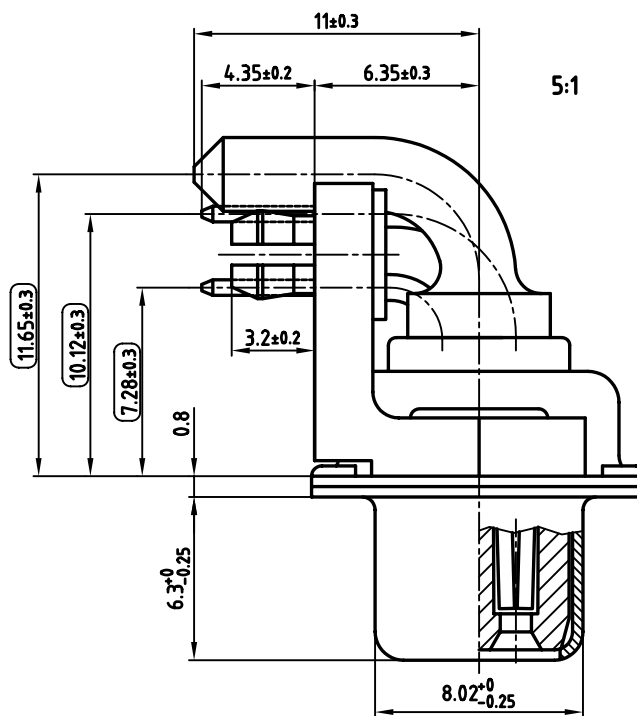


used for: D-SUB COMBINATION



P.C.B. HOLE DRILLINGS



NOTES:

1. METALSHELLS: STEEL; min. 320µ" TIN
2. INSULATORS: PBT GF UL 94 V-0, GREEN
3. SIGNAL CONTACTS: COPPER ALLOY
PLATING: 30µ" HARD GOLD OVER min. 50µ" NICKEL
4. HIGH POWER CONTACTS 20A: COPPER ALLOY
PLATING: 30µ" HARD GOLD OVER min. 50µ" NICKEL
5. METAL BRACKET: STEEL; min. 320µ" TIN over 80µ" NICKEL
6. THREADED INSERT: COPPER ALLOY; min. 200µ" TIN over 80µ" NICKEL
7. PCB-SNAP: COPPER ALLOY; min. 200µ" TIN over 80µ" NICKEL
PCB-HOLE: $\phi 3.1 \pm 0.1$; PCB THICKNESS 1.6mm
8. MAXIMUM TORQUE VALUE FOR THREAD: 6" LBS
9. CONNECTOR IS PART MARKED: 3007W2SCT56N40X CONEC ABC
10. = CHECK DIMENSION

Directive 2002/95/EC
 RoHS-Compliant

APPROVAL * FREIGABE * DEBLOCAGE * AUTORIZACION * APPROVAL	
CUSTOMER APPROVAL DATE:	
NAME:	TITLE:
COMPANY NAME:	
APPROVAL * FREIGABE * DEBLOCAGE * AUTORIZACION * APPROVAL	

THIS DRAWING MAY NOT BE COPIED OR REPRODUCED IN ANY WAY, AND MAY NOT BE PASSED ON TO A THIRD PARTY, WITHOUT WRITTEN PERMISSION.
 OWNERSHIP AND COPYRIGHT OF CONEC Gmbh
DO NOT ALTER CAD DRAWING BY HAND

rev.	description	date	name

tolerance		dim. in mm
2004	date	
drawn	05.11.	name
appd.	05.11.	Mickenbecker
norm		
d-old		
CONEC		

scale:	2:1 (5:1)
material:	SEE NOTES
title:	D-SUB COMBINATION FEMALE 90°
	7W2S
	with threaded insert, metal bracket and clip
dwg no:	AutoCAD 2004 DIN-A
	13K2A1141 3
part no:	3007W2SCT56N40X sh:1/1