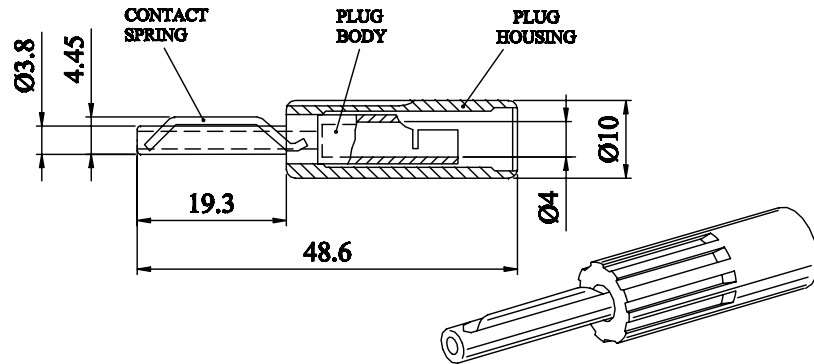


A standard in-line 4mm banana plug with a stainless steel contact spring. The large rear diameter of this plug will accept cables with a conductor of up to 5,5mm (10 awg). The solder bucket can also be crimped for added strength (suitable crimping tool - Daniels D36 Hydraulic Crimper). The product is also supplied with a large diameter insulating cover that accepts cables up to 7,1mm outside diameter.

MATERIAL	
CONTACT SPRING	: Stainless Steel, BS 302
PLUG BODY	: Brass, TR1 CZ 131 nickel plated or gold plated
PLUG HOUSING	: Acetal, C 27021 R
RATING	: 10 Amps
VOLTAGE	: 50 Volts max.

### Dimensions



COLOUR	NICKEL PLATE	GOLD PLATE
BLACK	579-0100	580-0100
BLUE	579-0200	580-0200
BROWN	579-0300	580-0300
GREEN	579-0400	580-0400
RED	579-0500	580-0500
WHITE	579-0600	580-0600
YELLOW	579-0700	580-0700

CONVERTED FROM PS0176 ISS5 (02.12.97) IN JAN 2003

DrgNo 579 & 580 SERIES		TITLE STANDARD 4mm PLUG-SOLDER BUCKET TERMINATION		ALL DIMENSIONS IN MM ANGLES IN DECIMAL DEGREES	
ISSUE 5	GENERAL SPECIFICATION FOR 579 & 580 SERIES	CUSTOMER		FILTER REF	
		Aprvd Date 15/10/03	Aprvd By MC	Drwn by BS	Scale: NTS