

A fully screened robust range of DIN connectors for use in instrumentation and audio applications. Available in two finishes; bright nickel and non-reflective electrically conductive matt black. Robust construction incorporating cable grip and strain relief.

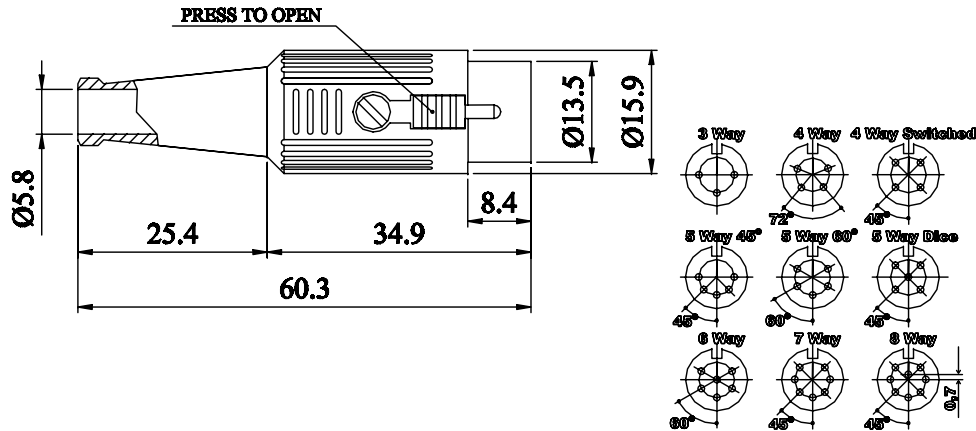
MATERIALS

HOUSING : Zinc Alloy, sprayed with matt black conductive paint
MOULDING : Nylon
CONTACTS : Brass
 Silver Plated
CABLE CLAMP : Mild Steel
 zinc plated
GROMMET : Black P.V.C.

ELECTRICAL RATINGS

Working Voltage 100 Vd.c. or a.c. peak
Test Voltage 1000 Vd.c.
Insulation Resist. $10^{11} \Omega$ min at 100 Vd.c.
Current Rating 4 A
Contact Resist. 10 m Ω max
Capacity (mated) 3 pF
Temp. Range -25°C to +70°C

Dimensions



Type	Deltron No
3 Way	591-0300
4 Way	591-0400
4 Way Switched	591-0410
5 Way 45°	591-0500
5 Way 60°	591-0510
5 Way Dice	591-0520
6 Way	591-0600
7 Way	591-0700
8 Way	591-0800

CONVERTED FROM PS0483 ISS4 (08.07.96) IN JAN 2003

DrgNo 591 SERIES TITLE SCREENED DIN CONNECTOR LOCKABLE PLUG (BLACK) ALL DIMENSIONS IN MM ANGLES IN DECIMAL DEGREES

ISSUE 5	GENERAL SPECIFICATION FOR 591 SERIES	CUSTOMER		FILTER REF	
		Aprvd Date 29/11/05	Aprvd By BFS	Drwn by BS	Scale: NTS