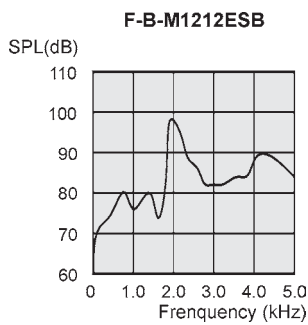
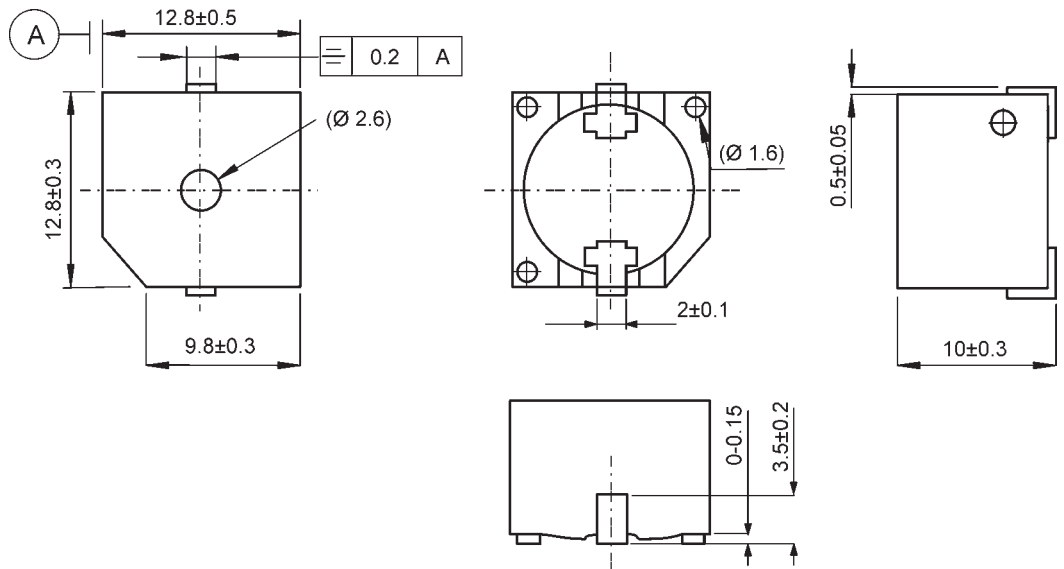




SMT - Buzzer

F-B-M1212ESB
 F-B-M1212ESL
 (with and without Label)



Typischer Frequenzgang
 Typical frequency response

| Technische Daten / technical data: | F-B-M1212ESB / ESL |
|--|--------------------|
| Betriebsspannungsbereich / operating voltage range (V) | 8...17.5 |
| Nennspannung / rated voltage (V) | 12 |
| Nennstrom / rated current* (mA) | ≤ 40 |
| Lautstärke / sound pressure level (SPL) (dB/10 cm) | ≥ 95 |
| Wicklungswiderstand / coil resistance (Ω) | 140 |
| Impedanz / impedance** (Ω) | 240 |
| Resonanzfrequenz / resonant frequency (Hz) | 2000 |
| Betriebstemperatur / operating temperature (°C) | -40...+ 85 |
| Lagertemperatur / storage temperature (°C) | -40...+ 105 |
| Gewicht / weight (g) | 2 |

* Wert bei angelegter Nennspannung (2000 Hz, ½ Tastverhältnis, Rechteck)
 Value applying rated voltage (2000 Hz, ½ duty, square wave)

** Angelegter Wert (2000 Hz, Sinus, Meßstrom 60 µA)
 Value applying (2000 Hz, sine wave, measuring current 60 µA)