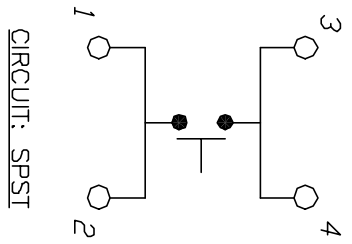
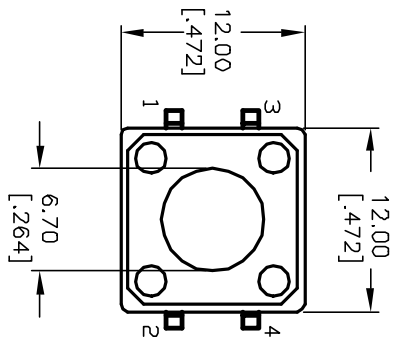
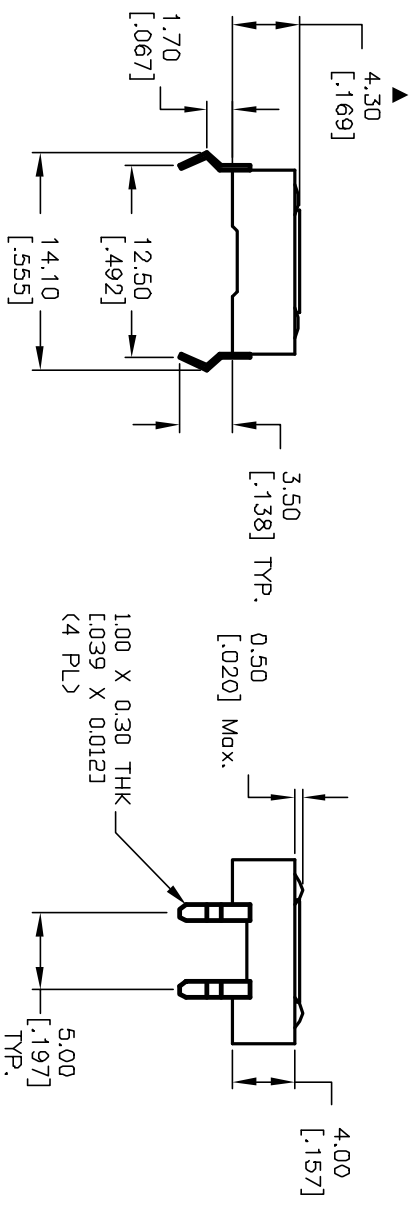


RECOMMENDED P.C.B. LAYOUT



CIRCUIT: SPST



NOTES:

1. ALL DIMENSIONS IN MM [INCH]
2. GENERAL TOLERANCE: X.X=±0.4 X.XX=±0.25
3. TERM. NOS. FOR REFERENCE ONLY.
4. RATINGS: 12VDC, 50mA
5. OPERATING FORCE: 160±50gf
6. TRAVEL: 0.3±0.15mm
7. CONTACT RESISTANCE: 100 MILLI Ω Max.
8. ELECTRICAL LIFE: 100,000 Cycles/min.
9. DESIGNATE MAJOR FEATURE:

REV.	ECN No.	DESCRIPTION	DATE	CHKD
A	11618	RELEASED FOR PRODUCTION	8/15/01	CJB

TITLE	SCALE	DATE	DR	DWG	REV
TL1100D F160 Q	2:1	8/15/01	CJB	D301100	A

E-SWITCH®

THE INFORMATION CONTAINED IN THIS DOCUMENT IS PROPRIETARY TO E-SWITCH AND IS NOT TO BE COPIED OR TRANSFERRED