

15 WATT AC-DC CONVERTER

2 CHANNEL WRM-FWX SERIES

General Description

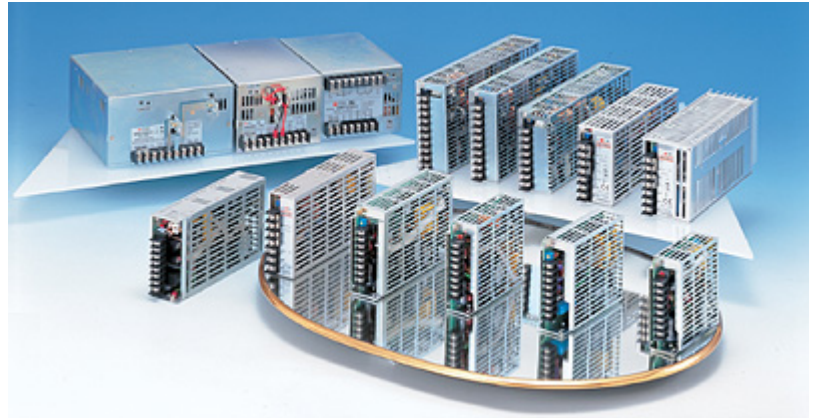
Universal or auto-ranging inputs for world wide use. Output power from 15 to 600 watts. Up to 4 outputs available. Approved to international safety standards.

**Dimensions: 33.5Wx98.5Lx97H
(400g)**



Features

1. Universal input 85-264VAC
2. EMI: meets EN 55022/B, FCC/B
3. Compact size
4. High efficiency and reliability
5. Output voltage adjustable
6. Over voltage protection

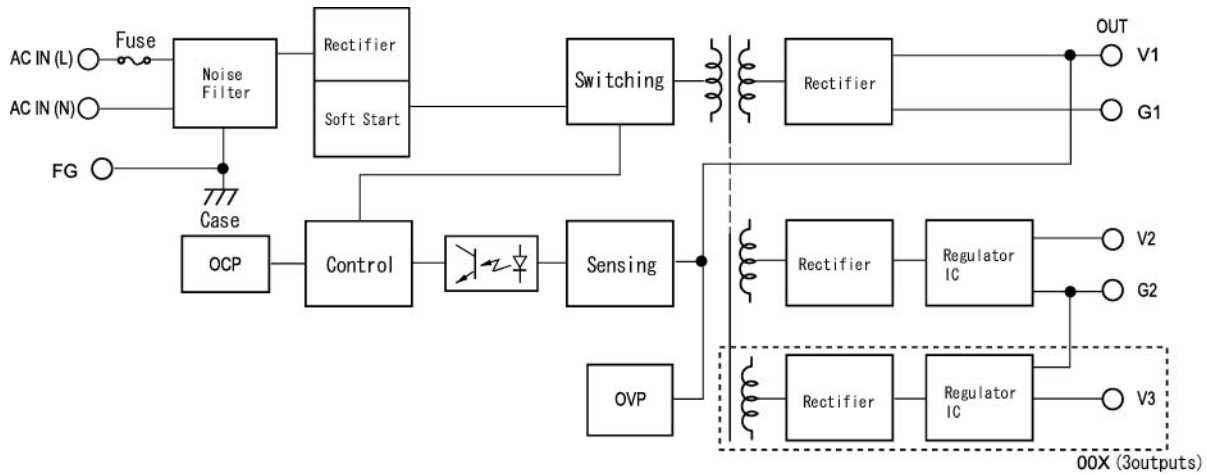


Options

N/A

Specifications WRM**FWX-U 15WATTS/2 OUTPUTS	Model			
	WRM21FWX-U	WRM22FWX-U	WRM23FWX-U	WRM24FWX-U
Input Characteristic				
Input Voltage	AC115-230V			
Input Current	0.45A			
Input Range	AC85-264V(DC110-350V)			
Input Frequency	50/60Hz			
Input Frequency Range	47-440Hz			
Phase	Single			
Inrush Current *1	30A(maximum) at AC115/60A(maximum) at AC230V			
Efficiency [%] (typical) *2	66	70	71	66

BLOCK DIAGRAM



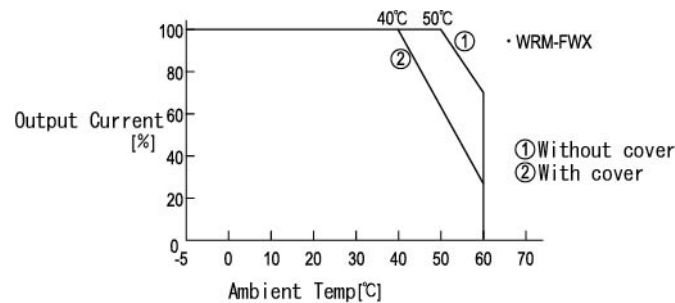
Output	Model							
	WRM21FWX-U		WRM22FWX-U		WRM23FWX-U		WRM24FWX-U	
WRM**FWX-U (15WATTS/2 OUTPUTS)	5	24	12	12	15	15	5	12
Output Voltage [V]	0.2-1.2	0.4	0.2-0.8	0.5	0.2-0.5	0.5	0.2-1.8	0.5
Output Current [A]	V1:+3%/0% of Rated Output Voltage(at no load within the input range) V2:fixed with tolerance of +/-4% (at no load within the input range)							
Voltage Adjust Range	100	290	170	170	200	200	100	170
Ripple and Noise [mVp-p](maximum) *3	25	120	60	60	75	75	25	60
Regulation	50	240	120	120	150	150	50	120
a.Statistic Line Regulation [mV](maximum)	0.03%/°C							
b.Statistic Load Regulation [mV](maximum)	40	135	75	75	90	90	40	75
c.Temperature Coefficient *4	not specified							
d.Drift[mV](maximum) *5	not specified							
e.Dynamic Load Regulation [mV](typical) *6	200mS(maximum) at 25°C and rated input/output							
f.Recovery Time *6	10mS(minimum) at 25°C and rated input/output							
Rise up time	Functions							
Hold up time	Overcurrent Protection		≥110% of		V1:Zener diode clamping V2:by the regulator I.C's characteristics			
	1.32	-	0.88	-	0.55	-	1.98	-
	Rated Output Current[A]		0.88		V1:Output shutdown(to reset,leave 1minute after shut-off)V2:not available			
	5.75	-	13.8	-	17.3	-	5.75	-
	Overvoltage Protection		≥110% of]		not available			
	Rated Output Voltage[V]		not available		not available			
	Remote Sense		not available		not available			
	Remote On/Off		not available		not available			
	Power Fail Detection		not available		not available			
	Parallel/series Operation		not available		not available			
	Environmental							
	Operating Temperature *7		-5 to +40°C [unit without cover:-5 to +50□]					
	Operating Humidity		30 to 85%RH(non-condensing)					
	Storage Temperature		-20 to +85°C					

Storage Humidity	10 to 85%RH(non-condensing)
Withstanding Voltage	Primary-Secondary AC3,000V for 1minute
	Primary-Frame Ground AC2,500V for 1minute
	Secondary-Frame Ground AC500V for 1minute
Isolation Resistance	Primary-Secondary-Frame Ground 50MΩ(minimum) by DC500V insulation tester
Vibration	5-10Hz:10mm double amplitude,10-55Hz:19.6m/s ² ,20minutes' period for 60minutes
Shock	294m/s ²
Cooling	Convection
Leakage Current	1mA(maximum) at 2°C rated input/output and rated input frequency
Line Conducted Noise	Built to meet VDE0871 Class B
	Built to meet FCC Part15-B Class B
Safety	UL: UL1950
	C-UL: CSA
	VDE EN60950, IEC950, VDE0805
<input type="checkbox"/> Weight (typical)	310g/open frame type:270g
<input type="checkbox"/> MTBF [H]	640,000
<input type="checkbox"/> Switching Frequency[kHz](typical)	90

Conditions:

- *1 at cold start
- *2 at DC130V input, rated output and 25°C
- *3 measured by a bayonet probe at output connector at a 0 to 100MHz bandwidth
- *4 at -5 to +40°C/open frame type:-5 to +50°C
- *5 for 7hour period after 1hour warm-up at 25°C and rated input/output
- *6 when output current changed from 25% to 75% of rated output current rapidly at AC115/230V input
- *7 safety approved at 25°C
- *8 variable on input voltage and load conditions

DERATING CURVE



※ For safety specification, contact ETA Sales Representative

DIMENSION DIAGRAM

