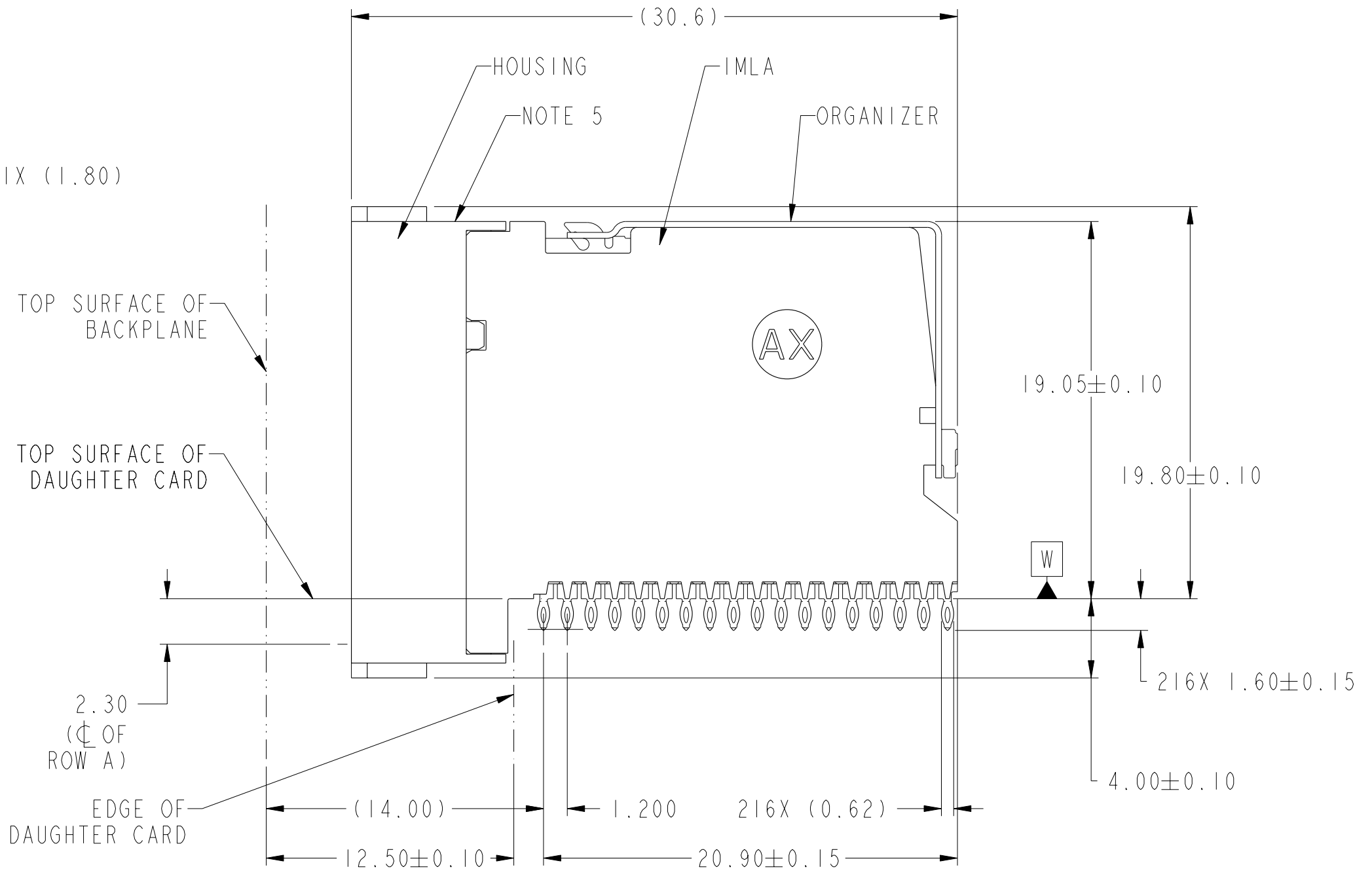
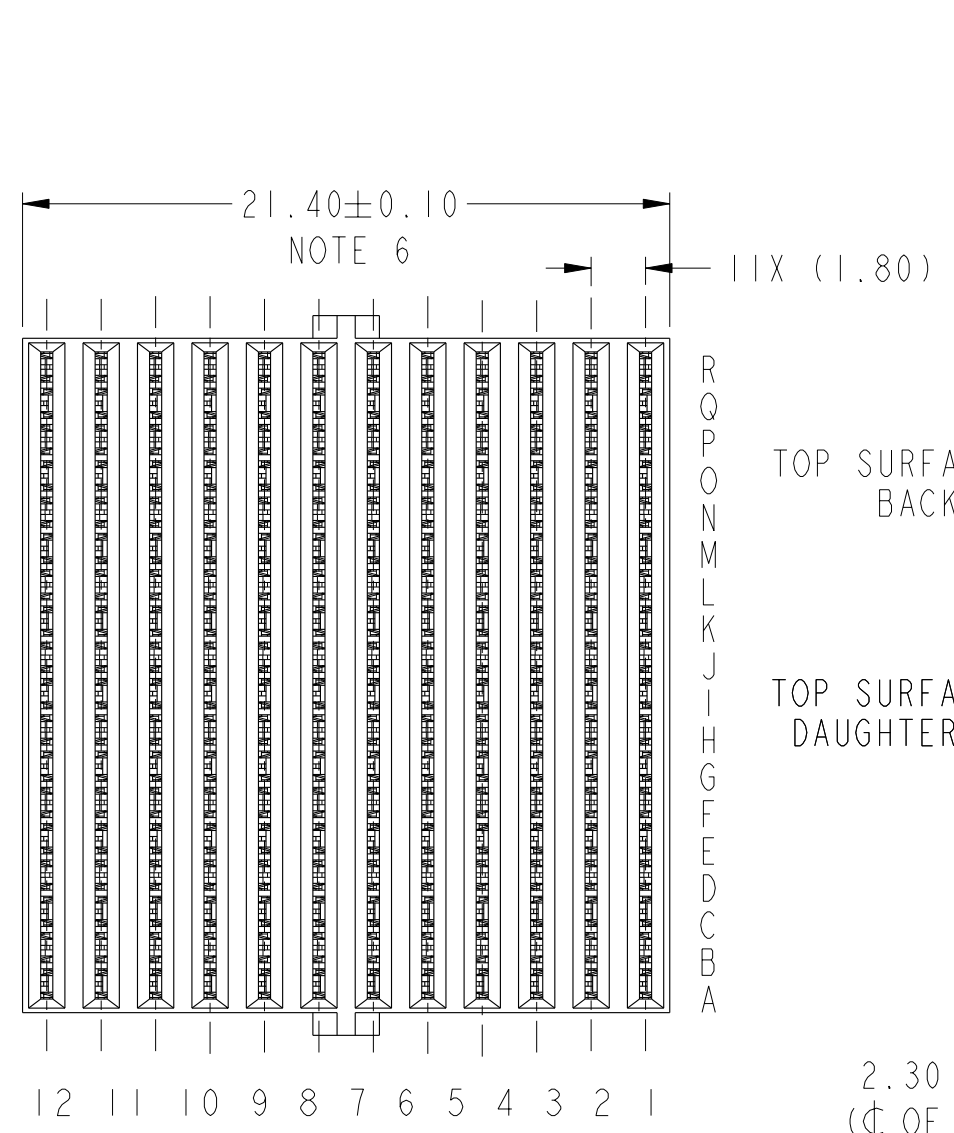


PRODUCT NUMBER
SEE SHEET 3



Copyright FCI.

rev	ecn no	dr	date
1	ISSUED	SCS	2007-03-01
2	REVISED	SCS	2007-05-08
3	REVISED	SCS	2007-06-08
4	REVISED	SCS	2007-08-29
-	-	-	-
-	-	-	-
-	-	-	-

www.fciconnect.com			surface - ✓	tolerance std	projection	MM
			TOLERANCES UNLESS OTHERWISE SPECIFIED			Scale 4:1
Dr	STU STONER	2007-03-01	ANGULAR	LINEAR	0.X	±
Eng	S MINICH	2007-03-02			0.XX	±
Chr	S MINICH	2007-03-02			0.XXX	±
Appr	S MINICH	2007-03-02	Product family		ZipLine	Spec ref ---
FCI			Title		ZipLine R/A REC ASSY	Rev. 4
			Title		6 PR, 12 IMLA, 1.8MM PITCH, 21.6MM	
			Catalog no		-	
			Customer		CUSTOMER	sheet 1 of 3

REV F - 2006-04-17

1

2

3

4

A

B

C

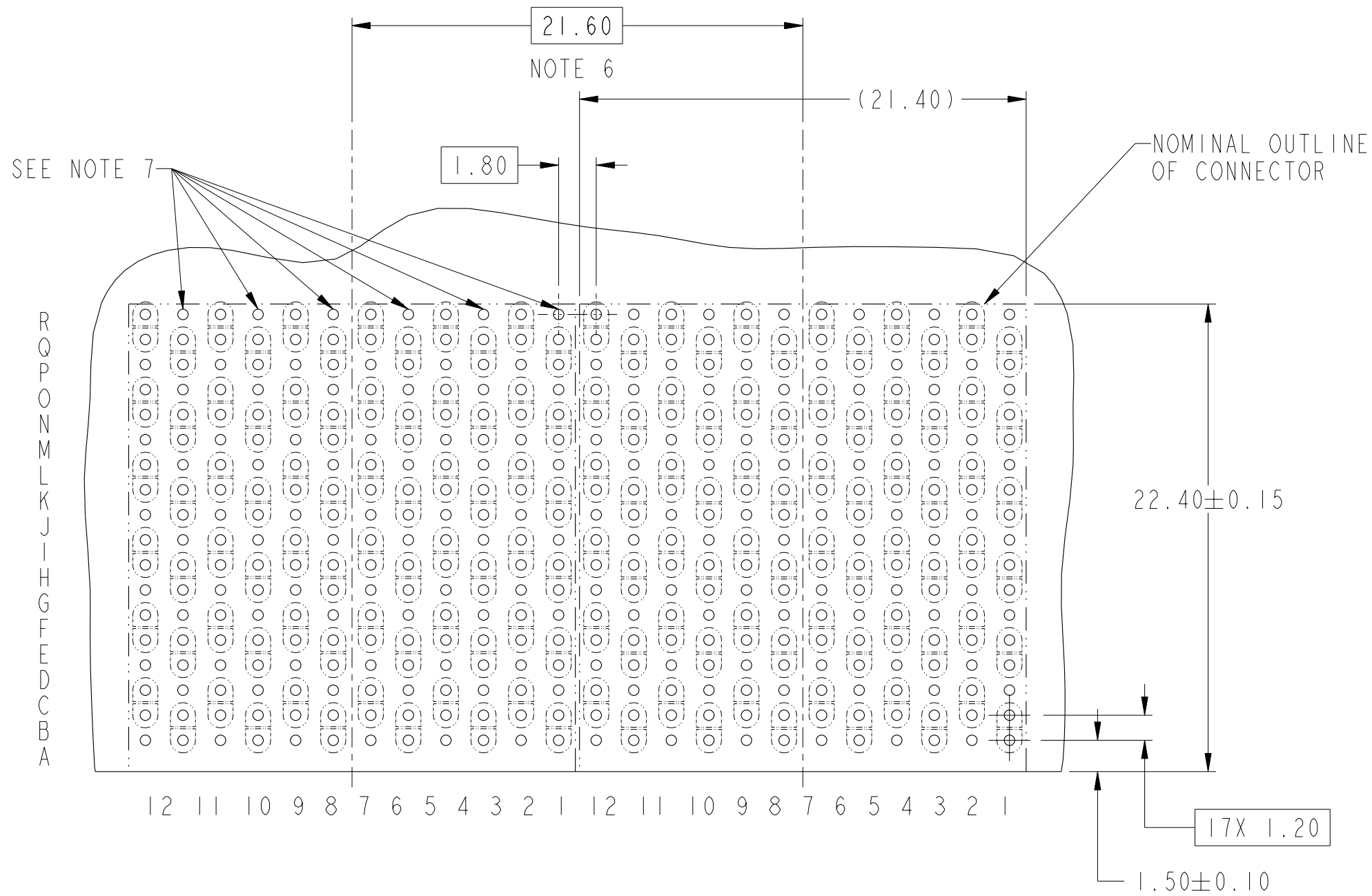
D

A

B

C

D



RECOMMENDED PCB LAYOUT
 FOR DIFFERENTIAL APPLICATIONS
 COMPONENT SIDE
 (TWO ADJACENT FOOTPRINTS SHOWN)
 NOTES 6, 7, & 8



Copyright FCI.

	Title ZipLine R/A REC ASSY 6 PR, 12 IMLA, 1.8MM PITCH, 21.6MM	dwg no 10076209	Rev. 4
	catalog no -	CUSTOMER	sheet 2 of 3

2

3

PRODUCT NUMBER	PRESS-FIT TAIL PLATING TYPE
10076209-101	TIN/LEAD ALLOY OVER NICKEL
10076209-101LF	TIN OVER NICKEL (LEAD FREE)

- ① - CONNECTOR MATERIALS:
HOUSING: HIGH TEMP THERMOPLASTIC, BLACK, UL94-V0
IMLA PLASTIC: HIGH TEMP THERMOPLASTIC, BLACK, UL94-V0
CONTACT: COPPER ALLOY
ORGANIZER: STAINLESS STEEL
- 2 - CONTACT PLATING:
SEPARABLE INTERFACE:
PERFORMANCE-BASED PLATING, QUALIFIED TO MEET THE REQUIREMENTS OF FCI PRODUCT SPECIFICATION GS-12-452 INCLUDING TELCORDIA GR-1217-CORE (NOVEMBER 1995) CENTRAL OFFICE TEST SEQUENCE
- PRESS-FIT TAILS: SEE TABLE
- 3 - PRODUCT SPECIFICATION: GS-12-452
- 4 - APPLICATION SPECIFICATION: GS-20-094
- ⑤ - PRODUCT MARKING, (PART NUMBER & LOT CODE), ON THIS SURFACE.
- ⑥ - THE MINIMUM CENTERLINE SPACING BETWEEN ADJACENT MODULES IS 21.6MM.
- ⑦ - THERE IS NO GROUND BUSSING WITHIN THE CONNECTOR EXCEPT FOR POSITIONS R1, R3, R5, R7, R9, & R11. THESE MUST BE ASSIGNED AS GROUNDS.

- ⑧ - REFER TO CUSTOMER DRAWING 10045979 FOR INFORMATION ON PCB HOLE DIAMETERS AND PLATING OPTIONS
- 9 - LEAD FREE PRODUCT MEETS THE EUROPEAN UNION DIRECTIVES & OTHER COUNTRY REGULATIONS AS DESCRIBED IN GS-22-008
- 10 - THE HOUSING WILL WITHSTAND EXPOSURE TO 260°C PEAK TEMPERATURE FOR 40 SECONDS IN A CONVECTION, INFRA-RED, OR VAPOR PHASE REFLOW OVEN.
- 11 - PACKAGING MEETS GS-14-920 LEAD FREE LABELING SPECIFICATION.



Copyright FCI.

	title	ZipLine R/A REC ASSY	dwg no	10076209	Rev.	4
	catalog no	6 PR, 12 IMLA, 1.8MM PITCH, 21.6MM		CUSTOMER		sheet 3 of 3