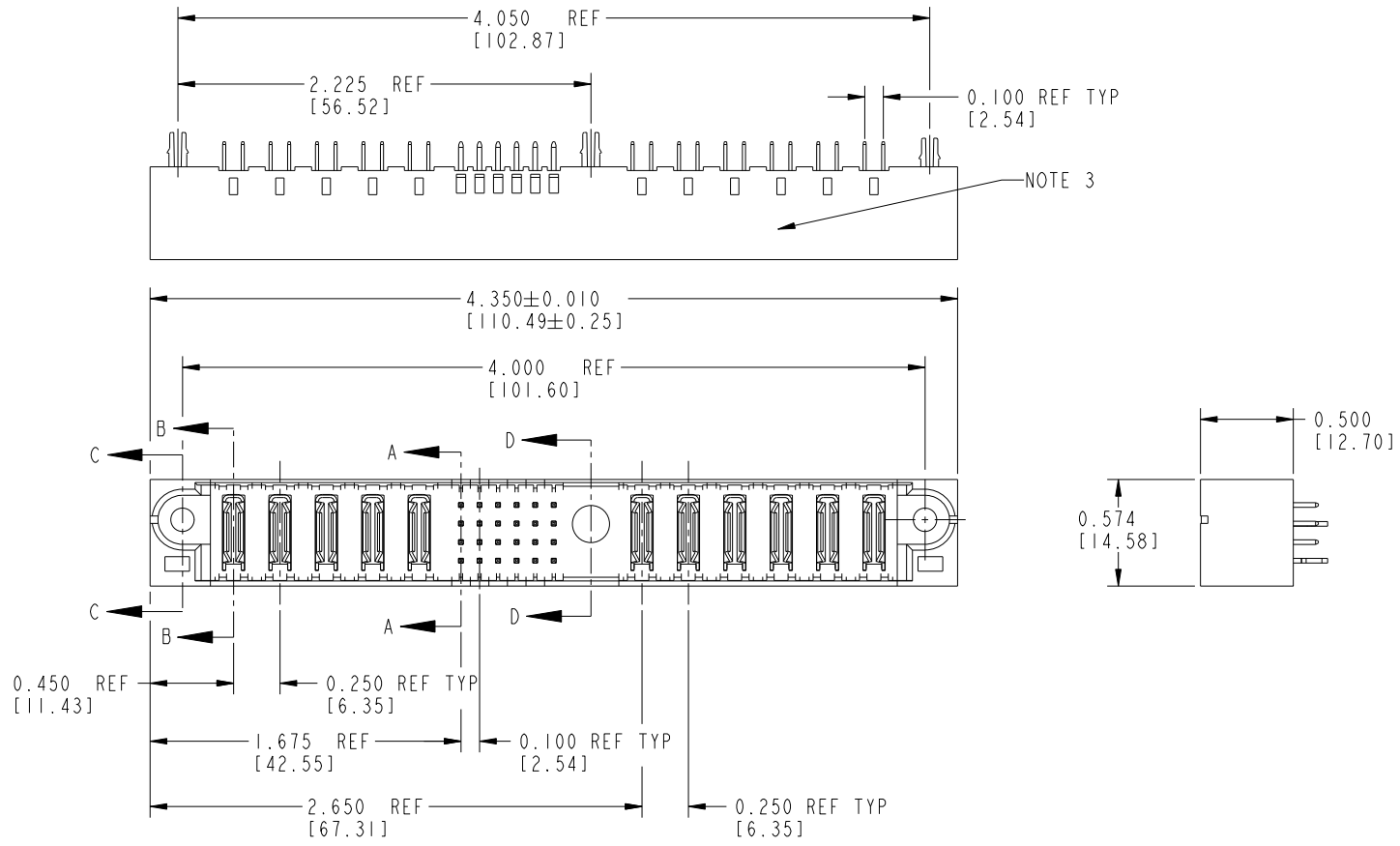


Tous droits strictement réservés. Reproduction ou communication a des tiers interdite sous quelque forme que ce soit sans autorisation écrite du propriétaire. Propriété de c FCI. Droits de reproduction FCI.



All rights strictly reserved. Reproduction or issue to third parties in any form whatever is not permitted without written authority from the proprietor. Property of FCI. Copyright FCI.

PRODUCT No.	ROWS	POWER					SIGNAL						POWER						E2		
		E1	P1	P2	P3	P4	P5	1	2	3	4	5	6	M1	P6	P7	P8	P9		P10	P11
51860-001-- NOTE: 2	D C B A																				



CODE	DIM "M" ±.010 [0.25]	CONTACT TYPE
E	0.270 [6.86]	SIGNAL
H	0.220 [5.59]	SIGNAL
PA	[N/A] [N/A]	POWER
HA	N/A [N/A]	HOLD-DOWN

mat'l code				NOTE 1		tolerances unless otherwise specified		CUSTOMER	
ltr	ecn no.	dr	date	linear	angles	projection		COPY	
A	V11839	JRW	07/06/01	.XX±.01/0.X±0.3		projection		www.fciconnect.com	
B	V12513	DA1	10/18/01	.XXX±.005/0.XX±0.13		projection		title 5P + 24S + 1M + 6P VERTICAL SOLDER HEADER	
C	V21104	TAB	09/30/02	.XXX±.0020/0.XXX±0.051	0°+2°	INCH/MM		product family PWRBLADE code 213	
D	DG05-0530	GuoJM	12/09/05			scale 1:1		size dwg no 51860 sheet 1 of 3	
E	DG08-0251	W D	09/16/08						
sheet index		revision sheet		E	E				
				1	2				

CUSTOMER		FCI		www.fciconnect.com	
COPY		projection		title 5P + 24S + 1M + 6P VERTICAL SOLDER HEADER	
INCH/MM		product family PWRBLADE		code 213	
scale 1:1		size dwg no 51860		sheet 1 of 3	

Pro/E

PDM: Rev: E

STAT: Released

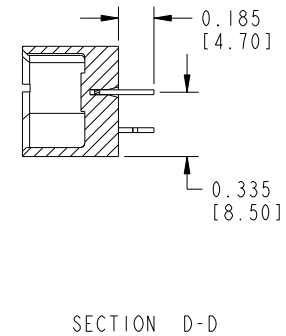
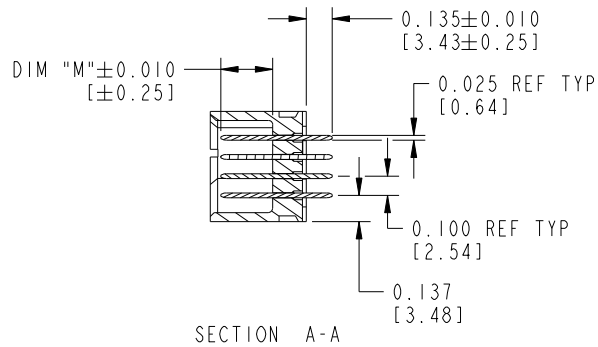
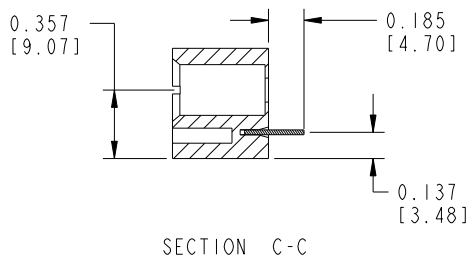
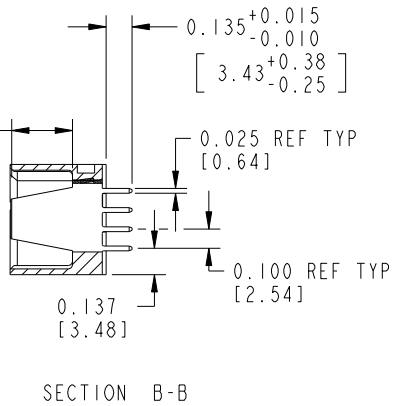
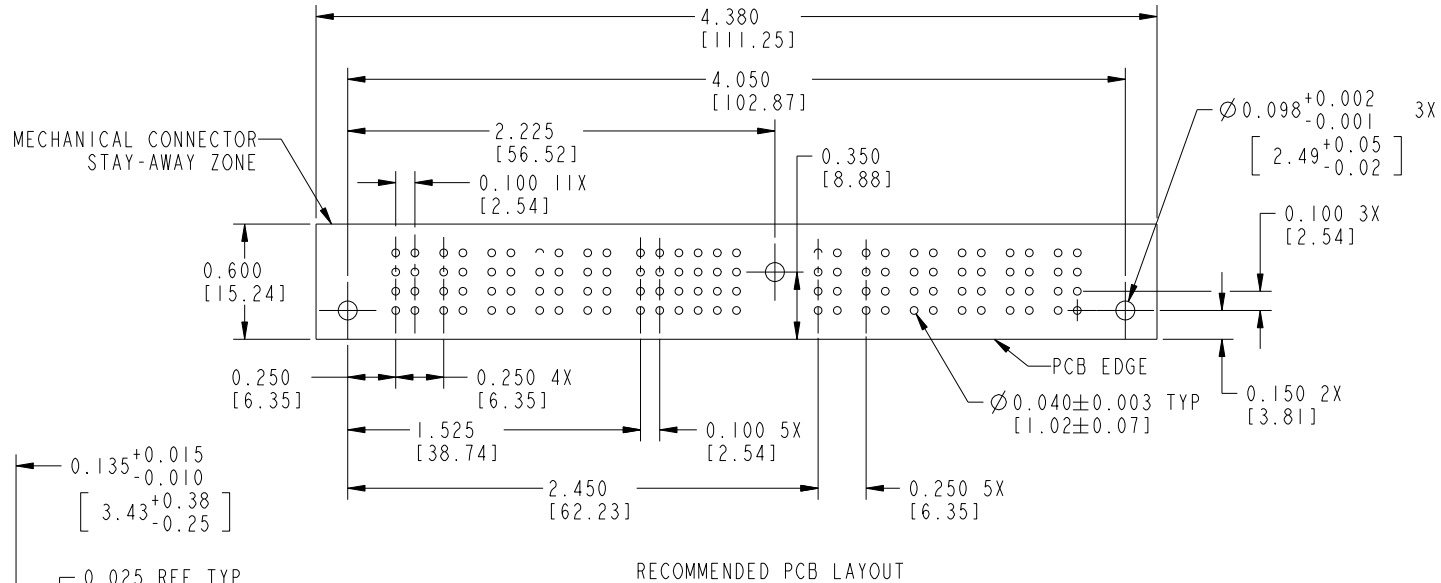
Printed: Sep 21, 2008

Tous droits strictement réservés. Reproduction ou communication a des tiers interdite sous quelque forme que ce soit sans autorisation écrite du propriétaire. Propriété de c FCI. Droits de reproduction FCI.

All rights strictly reserved. Reproduction or issue to third parties in any form whatever is not permitted without written authority from the proprietor. Property of FCI. Copyright FCI.



PRODUCT NUMBER
51860-001__
NOTE: 2



mat'l code		NOTE 1		tolerances unless otherwise specified		CUSTOMER		FCI	
ltr	ecn no.	dr	date	linear	.XX±.01/0.X±0.3	COPY		www.fciconnect.com	
E				projection	.XXX±.005/0.XX±0.13	INCH/MM		title 5P + 24S + 1M + 6P VERTICAL SOLDER HEADER	
				angles	.XXX±.002/0.XXX±0.051	scale 1:1		product family PWRBLADE code 213	
				dr	C. DAILY 03/08/01			size dwg no 51860 sheet 2	
				engr	E. TREECE 03/07/01				
				chr	E. TREECE 03/08/01				
				appd	E. TREECE 03/08/01				
sheet index	revision sheet								

Pro/E

PDM: Rev: E

STAT: Released

Printed: Sep 21, 2008

PRODUCT NUMBER
 51860-001__
 NOTE: 2

CONNECTOR NOTES:

1. HOUSING MATERIAL: UL 94 V-0 GLASS FILLED HIGH TEMP THERMOPLASTIC
 POWER CONTACT MATERIAL: COPPER ALLOY
 SIGNAL CONTACT MATERIAL: COPPER ALLOY
 - △ 2. SEE ITEM 1 & 2 IN PRINT 10064183 FOR PLATING SPEC OF 51860-001 AND 51860-001LF RESPECTIVELY.
 3. "MANUFACTURER'S" NAME, P/N, AND DATE CODE TO APPEAR ON THIS SURFACE
 4. PRODUCT SPECIFICATION GS-12-149
 5. DIMENSIONS AND TOLERANCES ARE IN ACCORDANCE WITH ASME Y14.5M, 1994 UNLESS OTHERWISE SPECIFIED.
- PCB NOTES:
6. ALL DIMENSIONS ARE BASIC UNLESS OTHERWISE SPECIFIED.
 7. ALL THROUGH HOLES ARE LOCATED WITH A TRUE POSITION OF 0.004 [0.10]
 8. ALL HOLE DIAMETERS ARE FINISHED HOLE SIZE
 9. $\varnothing 0.098[2.41]$ THROUGH HOLES ARE UNPLATED.
 10. $\varnothing 0.0453 \pm 0.0010$ [1.151 \pm 0.025] DRILLED HOLES PLATED WITH 0.0003 [0.008] MIN SnPb OVER 0.001 [0.03] TO 0.003 [0.08] Cu PLATING TO ACHIEVE A $\varnothing 0.040 \pm 0.003$ [1.02 \pm 0.07] HOLE.
 11. A △ E SYMBOL WILL BE NEXT TO ANY DIMENSION, VIEW, OR NOTE WHICH HAS BEEN MODIFIED WITH THE CURRENT DRAWING REVISION.

Tous droits strictement réservés. Reproduction ou communication a des tiers interdite sous quelque forme que ce soit sans autorisation écrite du propriétaire. Propriété de c FCI. Droits de reproduction FCI.



All rights strictly reserved. Reproduction or issue to third parties in any form whatever is not permitted without written authority from the proprietor. Property of FCI. Copyright FCI.

mat'l code		NOTE 1		tolerances unless otherwise specified		CUSTOMER		FCI	
lfr	ecn no.	dr	date	linear	.XX±.01/0.X±0.3	COPY		www.fciconnect.com	
E				projection	.XXX±.005/0.XX±0.13	INCH/MM		title 5P + 24S + 1M + 6P VERTICAL SOLDER HEADER	
				angles	.XXX±.0020/0.XXX±0.051	scale		product family PWRBLADE code 213	
				dr	0° ± 2°	1:1		size A 51860 sheet 3	
				enr	C. DAILY 03/08/01				
				chr	E. TREECE 03/07/01				
				appd	E. TREECE 03/08/01				
sheet index	revision sheet								