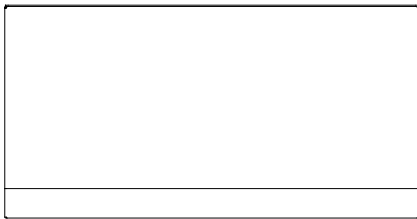
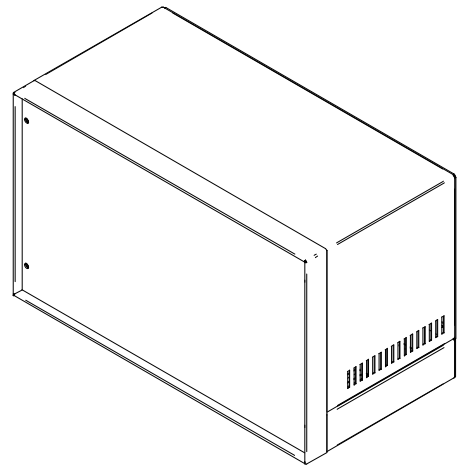


**PART No. 1452PG9**

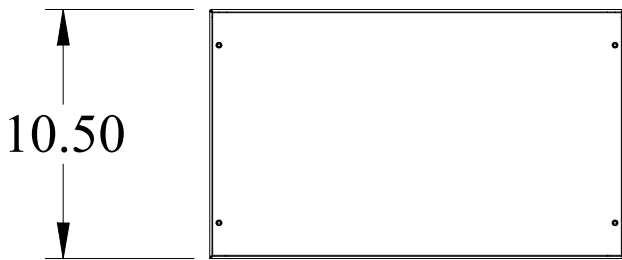
for more information visit  
[www.hammondmfg.com](http://www.hammondmfg.com)

Data subject to change without notice

ISOMETRIC VIEW NOT TO SCALE

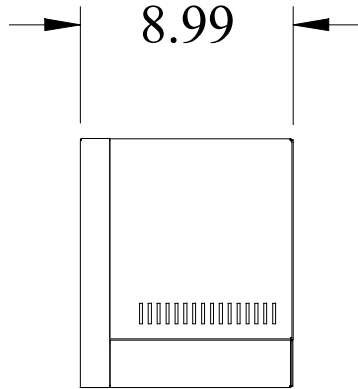


TOP



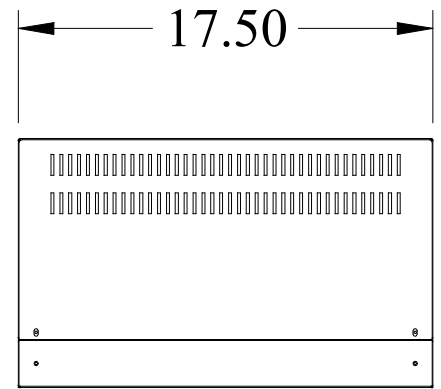
10.50

FRONT



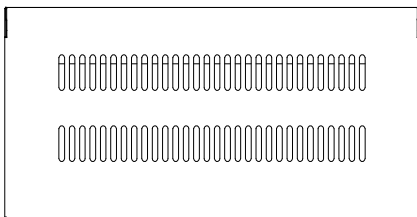
8.99

SIDE



17.50

REAR



BOTTOM