

General Accessories Panels

Panels for 1414, EJ and PJ Series Enclosures

- 14 gauge steel panels are finished in white.
- Aluminum panels are 0.080 type 5052 H-32 aluminum, unpainted.
- 14 gauge unpainted galvanized steel.
- Fiberglass panels in NEMA sizes.
- Steel panels and mounting hardware are included with 1414 Series enclosures.
- Galvanized panels and mounting hardware are included with the EJ Series enclosures.
- Mounting hardware is included with PJ Series enclosures, order panel separately.

Steel Part No.	Fiberglass Part No.	Aluminum Part No.	Galv. Steel Part No.	Panel Length	Panel Width	For Use with 1414 and EJ		For Use with PJ Series	
						Height	Width	Height	Width
14R0503			14G0503	4.88	2.88	6	4	—	—
14R0505	14F0505	14A0505	14G0505	4.88	4.88	6	6	7.04	7.04
14R0705	14F0705	14A0705	14G0705	6.75	4.88	8	6	8.94	7.06
14R0707			14G0707	6.75	6.88	8	8	—	—
14R0907	14F0907	14A0907	14G0907	8.75	6.88	10	8	11.08	9.20
14R0909			14G0909	8.75	8.88	10	10	—	—
14R1105			14G1105	10.75	4.88	12	6	—	—
14R1109	14F1109	14A1109	14G1109	10.75	8.88	12	10	13.08	11.20
14R1111			14G1111	10.75	10.88	12	12	—	—
14R1307			14G1307	12.75	6.88	14	8	—	—
14R1311	14F1311	14A1311	14G1311	12.75	10.88	14	12	15.08	13.20
14R1509			14G1509	14.75	8.88	16	10	—	—
14R1513	14F1513	14A1513	14G1513	14.75	12.88	16	14	17.22	15.34
P1868	F1868	A1868		16.88	14.88	—	—	19.34	17.34
P2068	F2068	A2068		18.44	14.44	—	—	20.94	16.94

Panels for 1418, 1422, 1447, and Wallmount Enclosures

- 12 gauge steel finished in white.
- Larger panels have two or four formed flanges.
- Some larger panels are 10 gauge.
- Panels and mounting hardware are included with 1418, 1447 and 1422 Series enclosures.

Part No.	Panel		For Use With Enclosure	
	Length	Width	Height	Width
18P0909 ¹	9	9	12	12
18P0921 ²	9	21	12	24
18P1309 ¹	13	9	16	12
18P1313 ¹	13	13	16	16
18P1515 ¹	15	15	18	18
18P1709 ¹	17	9	20	12
18P1713 ¹	17	13	20	16
18P1717 ¹	17	17	20	20
18P2109 ²	21	9	24	12
18P2113 ²	21	13	24	16
18P2117 ²	21	17	24	20
18P2121 ³	21	21	24	24
18P2709 ²	27	9	30	12
18P2713 ²	27	13	30	16
18P2717 ²	27	17	30	20
18P2721 ³	27	21	30	24
18P2727 ³	27	27	30	30
18P3321 ³	33	21	36	24
18P3327 ³	33	27	36	30
18P3333 ³	33	33	36	36
18P3921 ³	39	21	42	24
18P3927 ³	39	27	42	30
18P3933 ³	39	33	42	36
18P4521 ³	45	21	48	24
18P4527 ³	45	27	48	30
18P4533 ³	45	33	48	36
18P5733 ³	57	33	60	36
18P6927 ³	69	27	72	30
18P6933 ³	69	33	72	36

¹ Flat Panel ² 2 Formed Flanges ³ 4 Formed Flanges

General Accessories

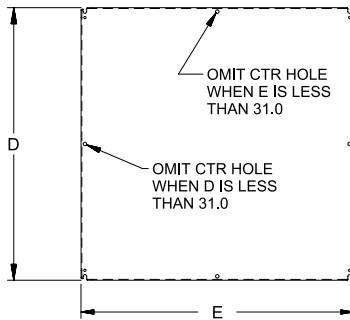
Panels

Panels for Eclipse Series Enclosures

- Larger than standard NEMA panel used in same sized enclosure.
- 12 gauge steel construction.
- Larger sizes have 2 or 4 formed flanges for added strength.
- Slotted corner design for easier mounting.
- Finished in white or unpainted galvanized.

Mild Steel Part No.	Galvanized Part No.	Size		
		D	E	Gauge
EP1212 ¹	EPG1212 ¹	10.2	10.2	12
EP1224 ¹	EPG1224 ¹	10.2	22.2	12
EP1612 ¹	EPG1612 ¹	14.2	10.2	12
EP1616 ¹	EPG1616 ¹	14.2	14.2	12
EP1620 ¹	EPG1620 ¹	14.2	18.2	12
EP2012 ¹	EPG2012 ¹	18.2	10.2	12
EP2016 ¹	EPG2016 ¹	18.2	14.2	12
EP2020 ²	EPG2020 ²	18.2	18.2	12
EP2024 ²	EPG2024 ²	18.2	22.2	12
EP2412 ¹	EPG2412 ¹	22.2	10.2	12
EP2416 ²	EPG2416 ²	22.2	14.2	12
EP2420 ²	EPG2420 ²	22.2	18.2	12
EP2424 ³	EPG2424 ³	22.2	22.2	12
EP2430 ³	EPG2430 ³	22.2	28.2	12
EP2442 ³	EPG2442 ³	22.2	40.2	12
EP2448 ³	EPG2448 ³	22.2	46.2	12
EP3012 ²	EPG3012 ²	28.2	10.2	12
EP3016 ³	EPG3016 ³	28.2	14.2	12
EP3020 ³	EPG3020 ³	28.2	18.2	12
EP3024 ³	EPG3024 ³	28.2	22.2	12

Mild Steel Part No.	Galvanized Part No.	Size		
		D	E	Gauge
EP3030 ³	EPG3030 ³	28.2	28.2	12
EP3036 ³	EPG3036 ³	28.2	34.2	12
EP3042 ³	EPG3042 ³	28.2	40.2	12
EP3048 ³	EPG3048 ³	28.2	46.2	12
EP3060 ³	EPG3060 ³	28.2	58.2	12
EP3624 ³	EPG3624 ³	34.2	22.2	12
EP3630 ³	EPG3630 ³	34.2	28.2	12
EP3636 ³	EPG3636 ³	34.2	34.2	12
EP3642 ³	EPG3642 ³	34.2	40.2	12
EP3648 ³	EPG3648 ³	34.2	46.2	12
EP3660 ³	EPG3660 ³	34.2	58.2	12
EP4224 ³	EPG4224 ³	40.2	22.2	12
EP4230 ³	EPG4230 ³	40.2	28.2	12
EP4236 ³	EPG4236 ³	40.2	34.2	12
EP4824 ³	EPG4824 ³	46.2	22.2	12
EP4830 ³	EPG4830 ³	46.2	28.2	12
EP4836 ³	EPG4836 ³	46.2	34.2	12
EP6036 ³	EPG6036 ³	58.2	34.2	12
EP7230 ³	EPG7230 ³	70.2	28.2	12
EP7236 ³	EPG7236 ³	70.2	34.2	12



¹ Flat Panel ² 2 Formed Flanges ³ 4-Formed Flanges

General Accessories

Panels

Panels for 1420 Series Enclosures

- Panels and mounting hardware are included with 1420 Series enclosures.
- 12 gauge steel finished in white.

Part No.	Panel		For Use With Enclosure	
	Length	Width	Height	Width
20P1410 ¹	14	10	16	12
20P1814 ¹	18	14	20	16
20P1818 ¹	18	18	20	20
20P2218	22	18	24	20
20P2222	22	22	24	24
20P2818	28	18	30	20
20P2822	28	22	30	24
20P3422	34	22	36	24
20P3428	34	28	36	30
20P4022	40	22	42	24
20P4028	40	28	42	30
20P4034	40	34	42	36
20P4634	46	34	48	36

¹ Flat panel

Panels for 1422 Series Floormount Enclosures

- 22P5038 is formed from 12 gauge steel, all others are 10 gauge steel.
- Panels and mounting hardware are included with 1422 Series enclosures.
- Finished in white.

Part No.	Panel		For Use With Enclosure	
	Length	Width	Height	Width
22P5038	50	38	54	42
22P5644	56	44	60	48
22P5656	56	56	60	60
22P6856	68	56	72	60
22P6868	68	68	72	72

Technical references and DXF downloads available at www.hammsg.com

All dimensions in inches unless specified otherwise

Panels for N1A Series Enclosures

- 12 and 14 gauge steel finished in white.
- Panels and mounting hardware are included with N1A Series enclosures.

Part No.	Panel		For Use With Enclosure	
	Length	Width	Height	Width
AP1612 ¹	13	10.5	16	12
AP1616 ¹	13	14.5	16	16
AP1620 ¹	13	18.5	16	20
AP2016 ¹	17	14.5	20	16
AP2020 ¹	17	18.5	20	20
AP2024 ¹	17	22.5	20	24
AP2416 ¹	21	14.5	24	16
AP2420 ¹	21	18.5	24	20
AP2424 ¹	21	22.5	24	24
AP3020 ¹	26	18.5	30	20
AP3024 ¹	26	22.5	30	24
AP3030 ¹	26	28.5	30	30
AP3624 ¹	32	22.5	36	24
AP3630 ¹	32	28.5	36	30
AP4224 ¹	38	22.5	42	24
AP4230	38	28.5	45	30
AP4236	38	34.5	42	36
AP4836	44	34.5	48	36

¹ Flat Panel

SPB2 shown

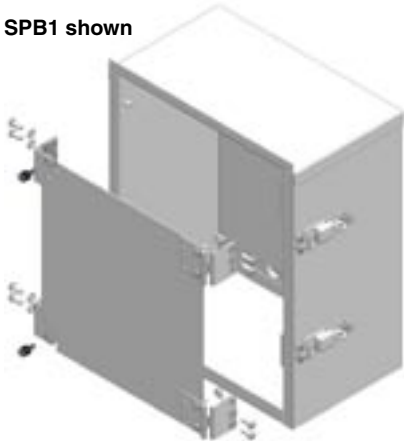


Swing Panel Kit

- Kits are used as accessory to standard Hammond panels (sold separately)
- Allows panel to be mounted in front part of enclosure
- Hinge permits access behind panel
- Sealing washers preserve approval rating of enclosure

Part #:	SPB1
For use with:	<ul style="list-style-type: none"> • 1414 Series where AxB is 8"x6" or larger • EJ Series where AxB is 8"x6" or larger • C3R-HCLO Series where AxB is 16x12 or smaller • Panel not included
Part #:	SPB2
For use with:	<ul style="list-style-type: none"> • 1418 Wallmount Series • C3R-HCLO Series where AxB is 16x16 or larger • C3R-HCR Series where AxB is 16x12 or larger • Panel not included

SPB1 shown



Technical references and DXF downloads available at www.hammmfg.com

All dimensions in inches unless specified otherwise

Quality Enclosures. Service Excellence.

General Accessories

Panel Accessories

General Accessories Panels



Terminal Kits for 1414/EJ/PJ Series Enclosures

- Used to provide convenient mounting for terminal blocks in 1414 Series enclosures and some sizes of "PJ" Series enclosures.
- Finished in white.

Bracket Assembly

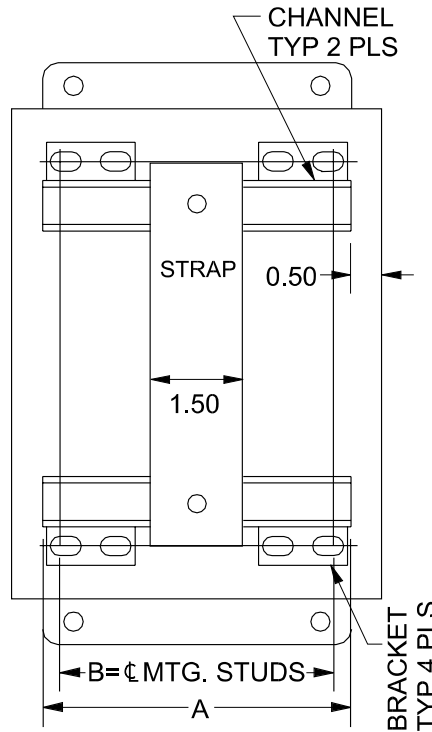
- Each kit consists of two brackets.
- "C" channel construction provides easy alignment of terminal straps.

Terminal Strap

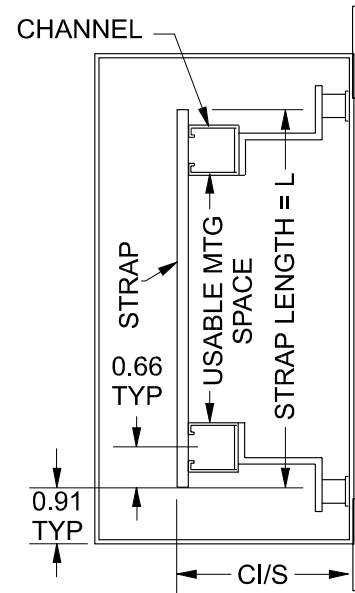
- 1.5" wide x 0.187" thick steel.
- Each strap includes spring locking hardware.
- Countersunk holes in straps provide extra terminal mounting space.

How to Order

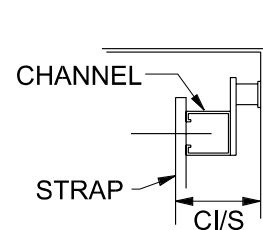
- Each enclosure requires one bracket assembly kit and the required number of straps (Strap Part No. corresponds to enclosure dimension "A" and is mounted parallel to same, Bracket Part No. corresponds to enclosure dimension "B" and is mounted parallel to same).
- Example: For a PJ864L enclosure, order one 14B6 bracket assembly and a minimum of one 14B8 terminal strap kits. Additional terminal strap kits will provide additional mounting space.



Front View



Side View



Detail A

Single Strap Part No.	L= Length	Usable Mounting Space	Bracket (Pair) Part No.	Width of Box	A	B	C	Fits PJ Enclosure
14S8	6.19	4.30	14B6	6	5	4.25	1.55	PJ864... ¹
14S10	8.19	6.30	14B8	8	7	6.25	1.55	PJ1086... ¹
14S12	10.19	8.30	14B10	10	9	8.25	2.79	PJ12106... ¹
14S14	12.19	10.30	14B12	12	11	10.25	2.79	PJ14126... ¹
14S16	14.19	12.30	14B14	14	13	12.25	2.79	PJ16148... ¹

¹ Compatible with all latch types



Terminal Kit for 1418 Enclosures

- Used to provide convenient mounting for terminal blocks, pneumatic controls or small relays in 1418 wallmount enclosures.
- Brackets may be installed horizontally or vertically in an enclosure if the size corresponds to enclosure length or width.
- Finished in white.

Bracket Assembly

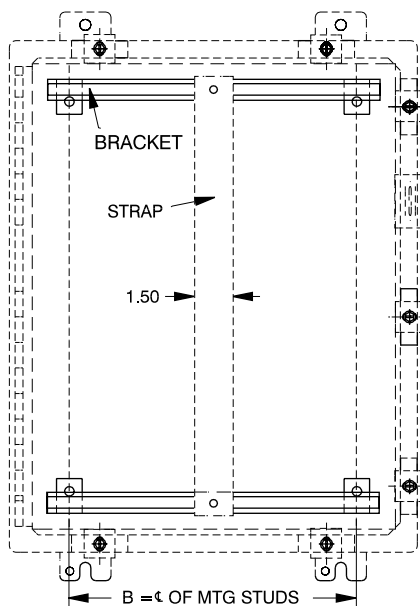
- Each kit consists of two or three brackets per assembly.
- Brackets combined with collar stud length provide 3" minimum clearance from the rear of the enclosure.
- "C" channel construction provides easy alignment of terminal straps.

Terminal Strap

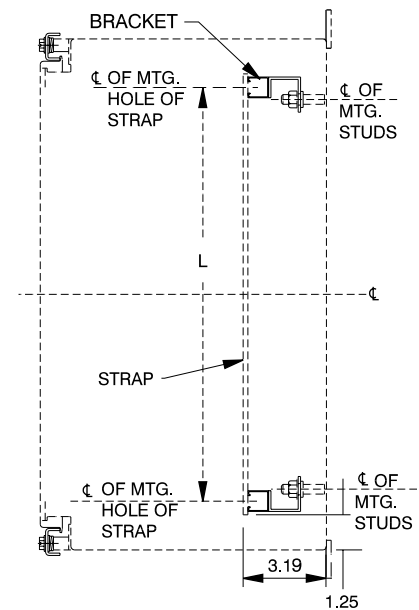
- 1.5" wide x 0.187" thick steel.
- Each strap includes spring locking hardware.
- Countersunk holes in straps provide extra terminal mounting space.

How To Order

- Each enclosure requires one bracket assembly kit and the required number of straps (order separately).
- Determine if strap will be mounted parallel to dimension "A" or "B".
- Choose the part number that corresponds to enclosure dimensions "A" or "B".
- When choosing a bracket assembly to be parallel to dimension "B" in an enclosure of 24", 30" or 36" width, determine if a two or three bracket assembly is required. When enclosures are 48" or greater on "A" dimension, 6 collar studs are used.
- Choose strap kit to correspond to the other enclosure dimensions.
- Order the number of kits equal to the number of straps required.



Front View



Side View

Bracket Assembly

Part No.	Number of Brackets	Length	B	Parallel Enclosure Dim
18B212	2	8.5	7.25	12
18B216	2	12.5	11.25	16
18B220	2	16.5	15.25	20
18B224	2	20.5	19.25	24
18B324	3	20.5	19.25	24
18B230	2	26.5	25.25	30
18B330	3	26.5	25.25	30
18B236	2	32.5	31.25	36
18B336	3	32.5	31.25	36

Strap

Part No.	Length	Usable Mounting Space (L)
18S12	9.5	7.6
18S16	13.5	11.6
18S20	17.5	15.6
18S24	21.5	19.6
18S30	27.5	25.6
18S36	33.5	31.6
18S42	39.5	37.6
18S48	45.5	43.6
18S60	57.5	55.6
18S72	69.5	67.6