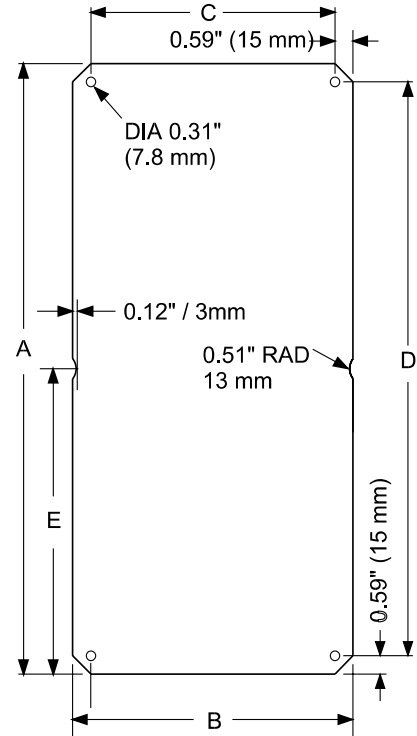


Polyester Modular Enclosures - NEMA 4X

PB Series - Accessories

PB Series Inner Panel

- Available in steel or unfinished aluminum.
- 14 gauge steel panels are finished in white powder coating.
- Aluminum panels are 0.080" (2.03 mm) unfinished.
- Hardware to mount inner panel is included with PB series enclosures.



Steel Panel Part No.	Aluminum Panel	Fits PB Enclosure		A	B	C	D	E
PBP2718	PBPA2718	PB271818	inch	9.06	5.51	4.33	7.88	—
		PB271818CC	mm	230	140	110	200	—
PBP2727	PBPA2727	PB272718	inch	9.06	9.06	7.88	7.88	—
		PB272718CC	mm	230	230	200	200	—
PBP3627	PBPA3627	PB362718	inch	12.60	9.06	7.88	11.42	—
		PB362718CC	mm	320	230	200	290	—
PBP5427	PBPA5427	PB542718	inch	19.69	9.06	7.88	18.51	9.84
		PB542718CC	mm	500	230	200	470	250
PBP5436	PBPA5436	PB543618	Inch	19.69	12.60	11.42	18.51	9.84
		PB543618CC	mm	500	320	290	470	250

PB Series External Hinges

- Fit all PB series enclosures sizes.
- External hinges have a 180° opening.
- Polyamide and fiberglass construction.
- Maintains IP rating when installed.
- Packaged in quantities of two.
- Easily installed in the field.



Part No. **PBEH**

Corrosion Resistant

Junction Boxes

Polyester Modular Enclosures - NEMA 4X

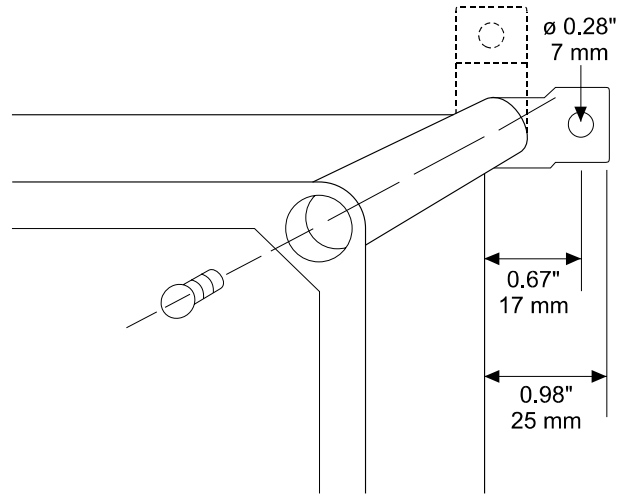
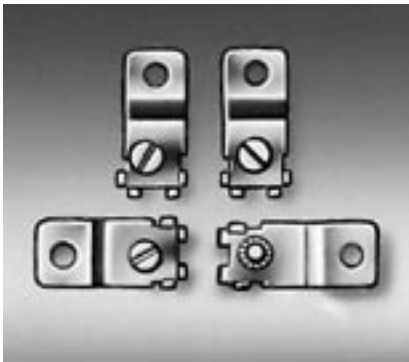
PB Series - Accessories



PB Series Mounting Feet

- Constructed of stainless steel.
- Fits all sizes of PB series enclosures.
- Packaged in quantities of four.
- Can be mounted horizontally or vertically.
- Easily installed in the field.

Part No. **PBMF**



PB Replacement Screws

- Fit all PB series enclosure sizes.
- Replacement screws in case the original screws are lost or broken.
- Packaged in quantities of eight.

Part No. **PBSC8**

Corrosion Resistant Junction Boxes