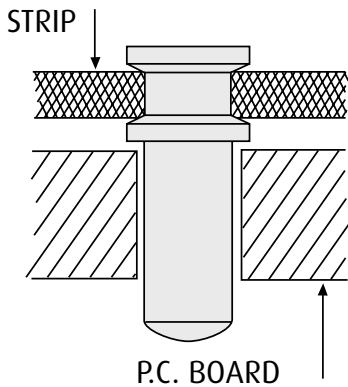
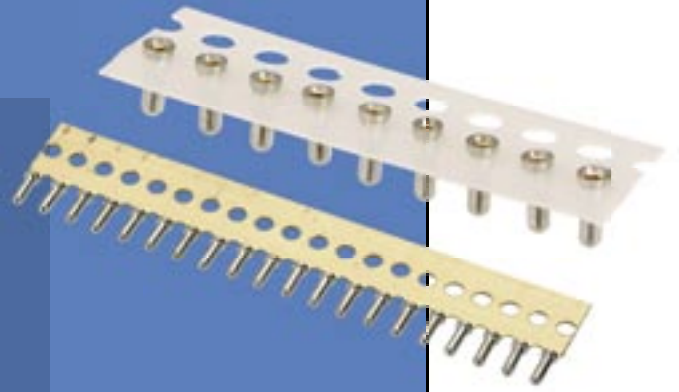


PC Board Sockets

Socket Strips for Ø0.5 pins

- Multiple socket carriers to facilitate production



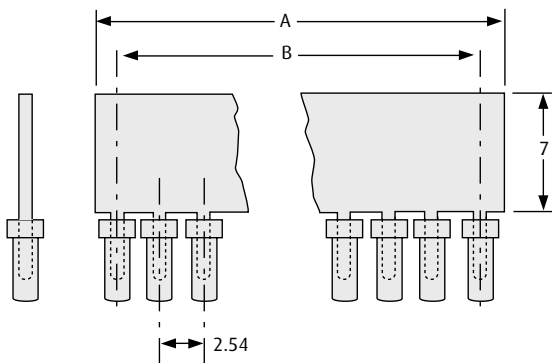
100 Contacts on a polyester strip, packed in a tube, ideal for multiple loading. Strip can be easily cut into any length and left in place, or removed after soldering.

ORDER CODE D01-6020001 100 way strip of H3155-01

SINGLE-IN-LINE SOCKET CARRIERS

CALCULATION

A	$B + 1.8$
B	$2.54 \times (\text{No of sockets} - 1)$



Brass carriers are supplied fitted with the sub-miniature socket shown in the tables below. Stocked in standard lengths.

HOW TO ORDER

D01 - 9 XX XX 01

SERIES CODE

CONNECTOR TYPE

79	with H3192-01
81	with H3190-01
82	with H3191-01
84	with H3155-01
90	with H3153-01

FINISH

01 Gold contact, tin shell

NO. OF WAYS PER ROW

04 to 10, 12, 14, 16, 20, 32

www.harwin.com

