

# Customer Information Sheet

DRAWING No.: D01-995XXXX

SHEET 2 OF 2

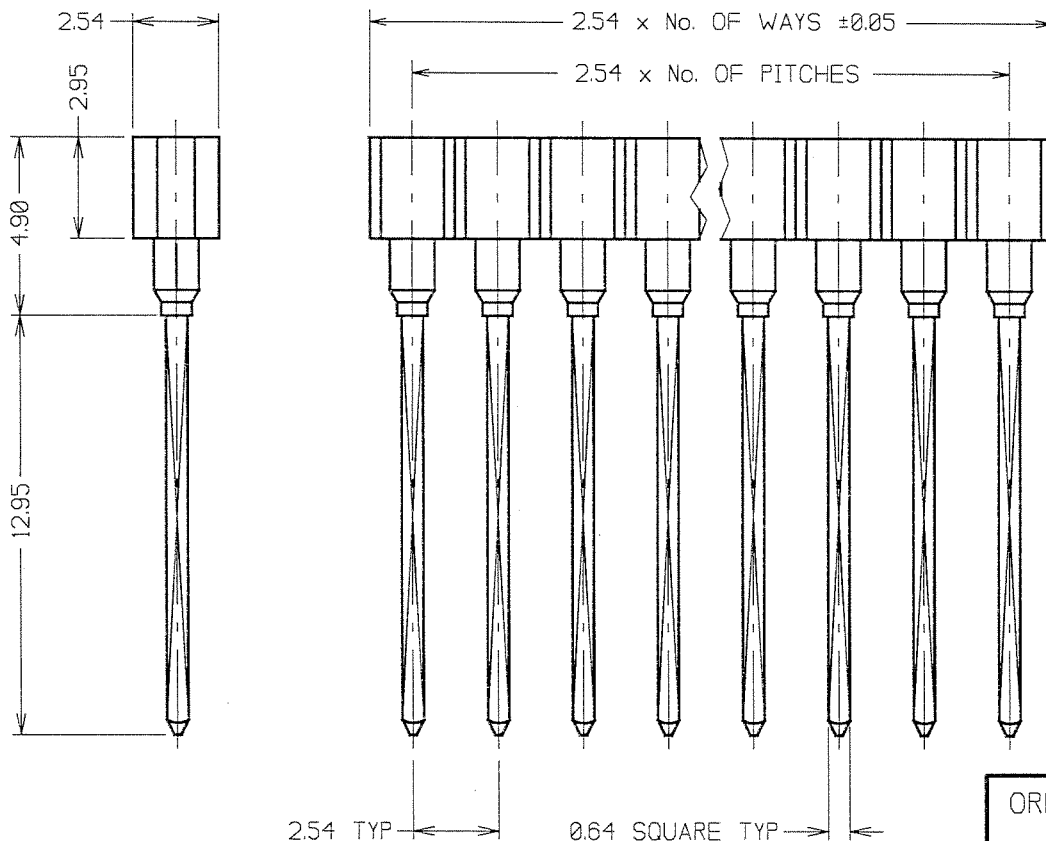
IF IN DOUBT - ASK



NOT TO SCALE

THIRD ANGLE PROJECTION

ALL DIMENSIONS IN mm



**SPECIFICATIONS:**

**MATERIAL:**

**MOULDING:**

01 = GLASS-FILLED PBT, UL94V-0, BLACK

42 = GLASS-FILLED PCT, UL94V-0, BLACK

SHELL = BRASS

CLIP = BERYLLIUM COPPER

**FINISH:**

CLIP = 0.25µ GOLD

SHELL (01 FINISH) = 5.0µ 90/10 TIN/LEAD

SHELL (42 FINISH) = 5.0µ 100% TIN

**ELECTRICAL:**

CURRENT RATING = 1 AMP

VOLTAGE RATING = 100V AC, 150V DC

CONTACT RESISTANCE = 10 MILLIOHMS MAX

INSULATION RESISTANCE = 10,000 MEGOHMS MIN

DIELECTRIC STRENGTH = 1,000V AC MIN

**MECHANICAL:**

DURABILITY = 500 OPERATIONS

INSERTION FORCE (Ø0.46mm GAUGE) = 5N MAX

WITHDRAWAL FORCE (Ø0.46mm GAUGE) = 0.5N MIN

**ENVIRONMENTAL:**

TEMPERATURE RANGE = -55°C TO +125°C

FOR COMPLETE SPECIFICATION, SEE COMPONENT SPECIFICATION C004XX (LATEST ISSUE).

**NOTES:**

1. RECOMMENDED PCB HOLE SIZE = Ø1.00mm.
2. MAXIMUM CONTACT DEPTH = 2.5mm.
3. MAXIMUM MATING PIN LENGTH = 4.0mm.
4. RECOMMENDED MATING PIN DIAMETER = Ø0.40mm-0.56mm.

**ORDER CODE:**

**D01-995XXXX**

**NO. OF WAYS:**

04 TO 10, 12, 14, 16  
18, 20, 32 & 64

**FINISH:**

01 = GOLD CLIP, TIN/LEAD SHELL  
42 = GOLD CLIP, 100% TIN SHELL

RA	8	17.01.08	9947
NAME	ISS.	DATE	C/NOTE
APPROVED: <i>[Signature]</i>			
CHECKED: <i>[Signature]</i>			
DRAWN:		W. J. BOURNE	
CUSTOMER REF.:			
ASSEMBLY DRG.:			

**HARWIN**

HARWIN USA  
TEL: 603 893 5376  
FAX: 603 893 5396  
mis@harwin.com

HARWIN Europe (UK)  
TEL: 023 9231 4545  
FAX: 023 9231 4590  
mis@harwin.co.uk

HARWIN Asia  
TEL: +65 6 779 4909  
FAX: +65 6 779 3868  
mis@harwin.com.sg

THIS DRAWING AND ANY INFORMATION OR DESCRIPTIVE MATTER SET OUT HEREON ARE CONFIDENTIAL AND COPYRIGHT PROPERTY OF THE HARWIN GROUP AND MUST NOT BE DISCLOSED, LOANED, COPIED OR USED FOR MANUFACTURING, TENDERING OR FOR ANY OTHER PURPOSE WITHOUT THEIR WRITTEN PERMISSION.

**TOLERANCES**  
X. = ±1mm  
X.X = ±0.25mm  
X.XX = ±0.10mm  
X.XXX = ±0.01mm  
ANGLES = ±5°  
UNLESS STATED

**MATERIAL:**  
SEE ABOVE  
**FINISH:** SEE ABOVE  
**S/AREA:** mm<sup>2</sup>

**TITLE:**  
2.54mm PITCH SIL 3-LEVEL WIRE WRAP IC SOCKET  
**DRAWING NUMBER:**  
**D01-995XXXX**  
SHT 2 OF 2