

# Customer Information Sheet

DRAWING No.: M50-490XX45

SHEET 3 OF 3

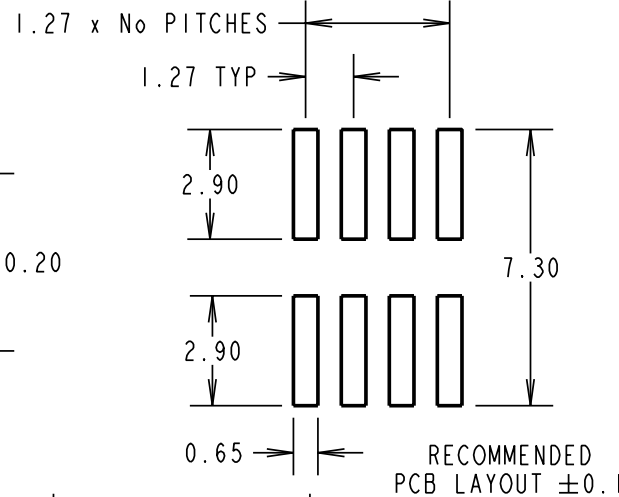
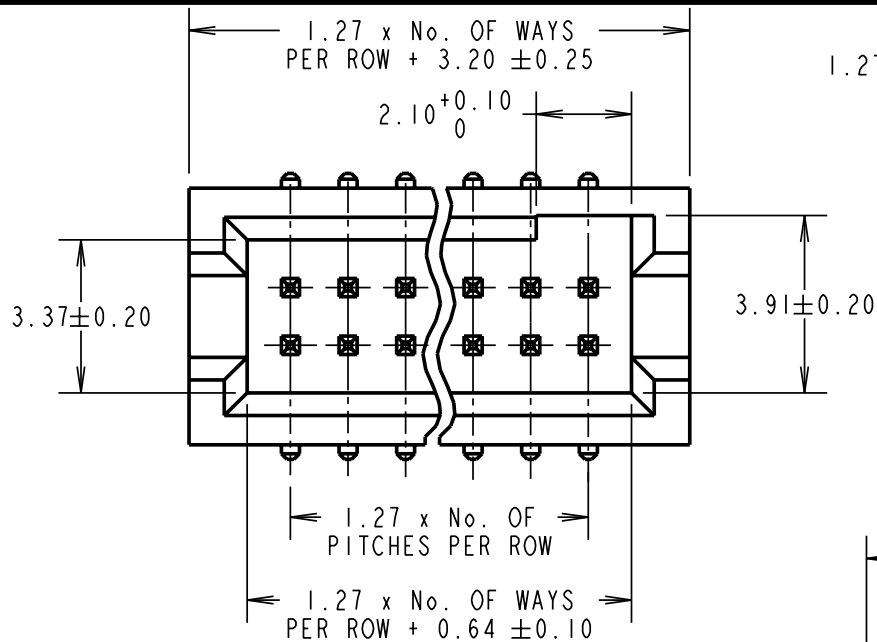
IF IN DOUBT - ASK

©

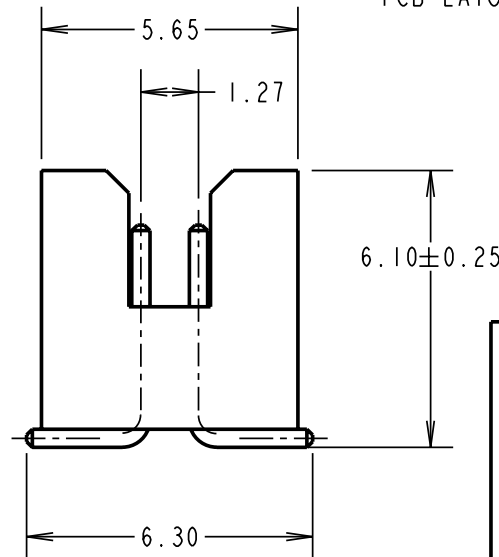
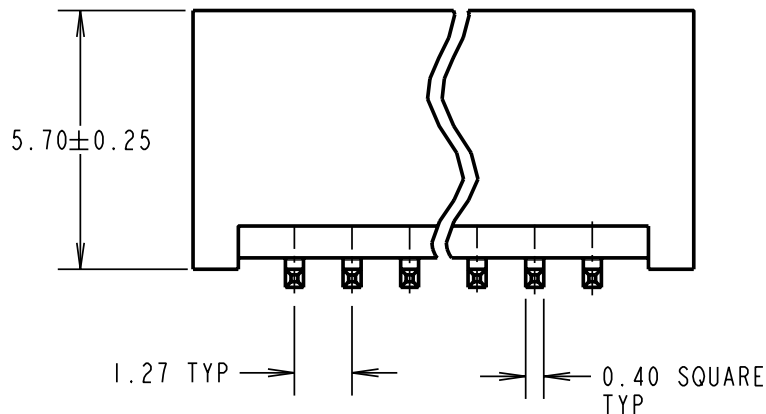
NOT TO SCALE

THIRD ANGLE PROJECTION

ALL DIMENSIONS IN mm



**SPECIFICATIONS:**  
**MATERIAL:**  
 MOULDING = NYLON 6T UL94V-0, BLACK  
 CONTACT = BRASS  
**FINISH:**  
 CONTACT = GOLD  
**ELECTRICAL:**  
 CURRENT RATING = 1A  
 VOLTAGE PROOF = 300V AC/DC  
 CONTACT RESISTANCE = 20 MILLIOHMS MAX  
 INSULATION RESISTANCE = 1,000 MEGOHMS MIN  
**ENVIRONMENTAL:**  
 OPERATING TEMPERATURE = -40°C TO +105°C  
**PACKING:**  
 TUBE  
 FOR COMPLETE SPECIFICATION, SEE COMPONENT SPECIFICATION C029XX (LATEST ISSUE)



**NOTE:**  
 1. TOLERANCE = ±0.15 UNLESS OTHERWISE STATED.

ORDER CODE:  
**M50-490XX45**  
 No. WAYS PER ROW 05 TO 40  
 FINISH: GOLD

RB	6	07.10.08	10167
NAME	ISS.	DATE	C/NOTE
APPROVED: R.BROCKBANK			
CHECKED: M.PLESTED			
DRAWN: J. ENRIGHT			
CUSTOMER REF.:			
ASSEMBLY DRG:			

**HARWIN**

HARWIN USA  
 TEL: 603 893 5376  
 FAX: 603 893 5396  
 mis@harwin.com

HARWIN Europe (UK)  
 TEL: 023 9231 4545  
 FAX: 023 9231 4590  
 mis@harwin.co.uk

HARWIN Asia  
 TEL: +65 6 779 4909  
 FAX: +65 6 779 3868  
 mis@harwin.com.sg

THIS DRAWING AND ANY INFORMATION OR DESCRIPTIVE MATTER SET OUT HEREON ARE CONFIDENTIAL AND COPYRIGHT PROPERTY OF THE HARWIN GROUP AND MUST NOT BE DISCLOSED, LOANED, COPIED OR USED FOR MANUFACTURING, TENDERING OR FOR ANY OTHER PURPOSE WITHOUT THEIR WRITTEN PERMISSION.

**TOLERANCES**  
 / = ±1mm  
 X.X = ±0.25mm  
 X.XX = ±0.10mm  
 X.XXX = ±0.01mm  
 ANGLES = ±5°  
 UNLESS STATED

**MATERIAL:**

SEE ABOVE

**FINISH:** SEE ABOVE

**S/AREA:** mm<sup>2</sup>

**TITLE:**

1.27mm PITCH DIL  
 SMT PIN HEADER ASSY

**DRAWING NUMBER:**

**M50-490XX45**

SHT  
 3 OF 3