

Customer Information Sheet

DRAWING No.: M52-510XX45

SHEET 3 OF 3

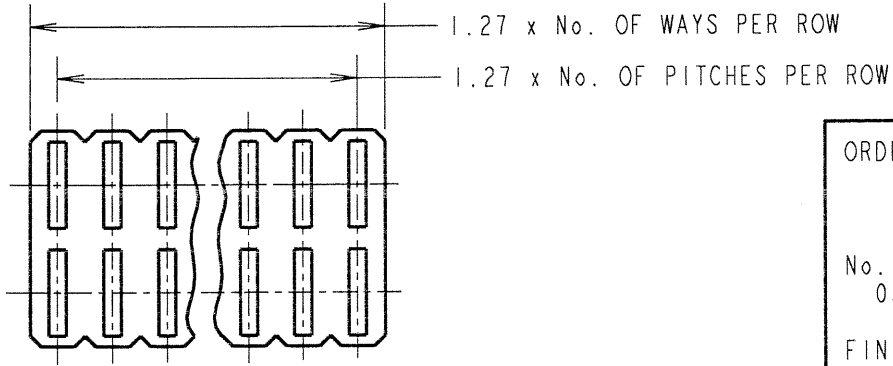
IF IN DOUBT - ASK

©

NOT TO SCALE

THIRD ANGLE PROJECTION

ALL DIMENSIONS IN mm



ORDER CODE:

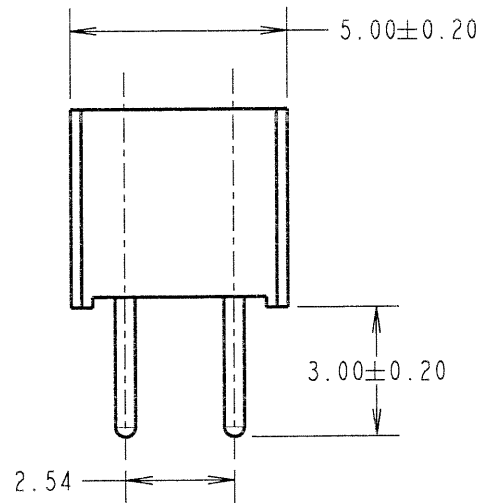
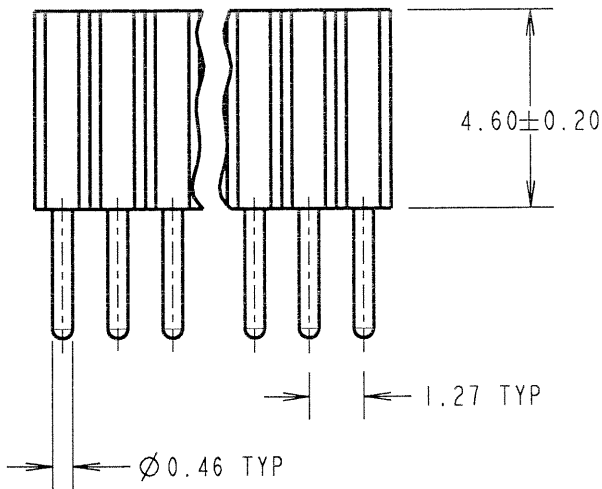
M52-510XX45

No. OF WAYS PER ROW
03 TO 50

FINISH: GOLD

SPECIFICATIONS:

MATERIAL:
 MOULDING = NYLON 6T UL94V-0, BLACK
 CONTACT = PHOSPHOR BRONZE
 FINISH:
 CONTACT = GOLD
 ELECTRICAL:
 CURRENT RATING = 1A
 VOLTAGE PROOF = 500V AC/DC
 CONTACT RESISTANCE = 20 MILLIOHMS MAX
 INSULATION RESISTANCE = 5,000 MEGOHMS MIN
 ENVIRONMENTAL:
 OPERATING TEMPERATURE = -55°C TO +105°C
 PACKING:
 TUBE



NOTES:

1. RECOMMENDED PCB HOLE SIZE = $\varnothing 0.60 \pm 0.20$ mm.
2. MAXIMUM MATING PIN LENGTH = 3.00mm.

JMB	5	20.02.06	9046
NAME	ISS.	DATE	C/NOTE
APPROVED:			
CHECKED:			
DRAWN:	J. ENRIGHT		
CUSTOMER REF.:			
ASSEMBLY DRG:			

HARWIN

THIS DRAWING AND ANY INFORMATION OR DESCRIPTIVE MATTER SET OUT HEREON ARE CONFIDENTIAL AND COPYRIGHT PROPERTY OF THE HARWIN GROUP AND MUST NOT BE DISCLOSED, LOANED, COPIED OR USED FOR MANUFACTURING, TENDERING OR FOR ANY OTHER PURPOSE WITHOUT THEIR WRITTEN PERMISSION.

TOLERANCES

X. = ± 1 mm
 X.X = ± 0.25 mm
 X.XX = ± 0.10 mm
 X.XXX = ± 0.01 mm

ANGLES = $\pm 5^\circ$
 UNLESS STATED

MATERIAL:

SEE ABOVE

FINISH:

SEE ABOVE

S/AREA:

mm²

TITLE:

1.27mm PITCH DIL
 VERTICAL PC TAIL SOCKET ASSY

DRAWING NUMBER:

M52-510XX45

SHT
 3
 OF
 3

HARWIN INC
 U.S.A.
 TEL: (812) 542 2540
 FAX: (812) 542 2541

HARWIN PLC
 U.K.
 TEL: 023 9231 4545
 FAX: 023 9231 4590

HARWIN PTE
 SINGAPORE
 TEL: 65 6779 4909
 FAX: 65 6779 3868