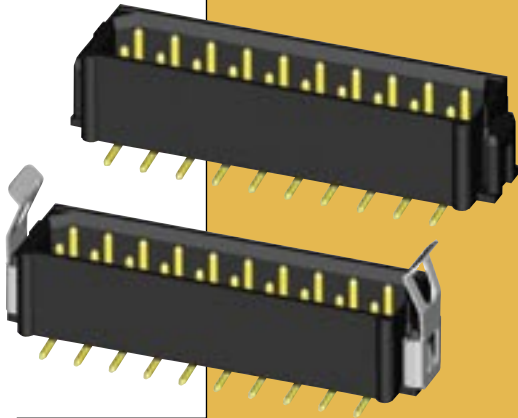


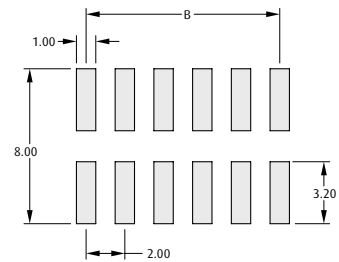
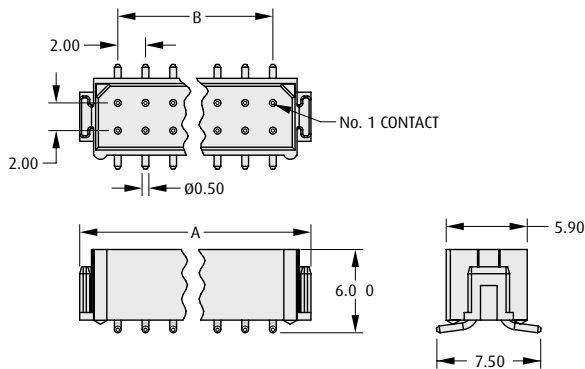
Datamate

Surface Mount Male Connectors – Vertical

- Contact datamate@harwin.com for tape & reel options.
- Optional pick and place cap.

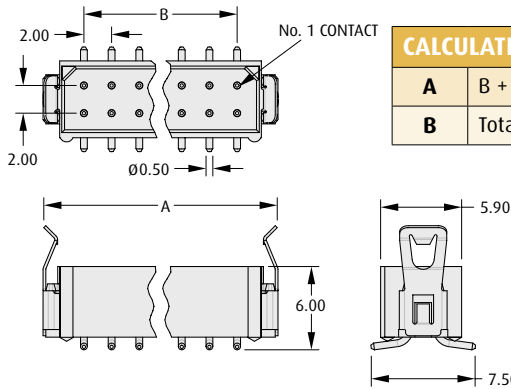


UNLATCHED



Recommended PC Board Pattern

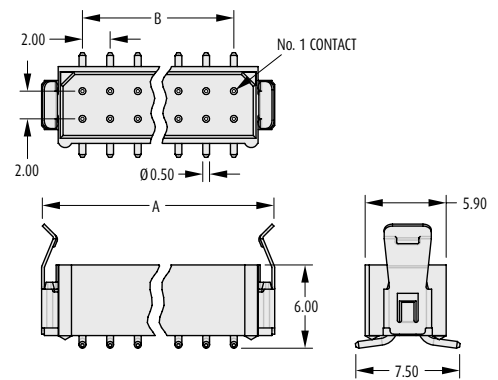
LATCHED



CALCULATION

A	$B + 5.60$
B	Total No. of contacts - 2

WITH FRICTION LOCK



HOW TO ORDER

M80 - 82 X XX 22 P

SERIES CODE

TYPE

6	Unlatched
7	Friction latched
8	Latched

TOTAL NO. OF CONTACTS

04, 06, 08, 10, 12, 14, 16, 18, 20, 26, 34, 44

PICK AND PLACE CAP

P	Pick and place cap
BLANK	No cap

FINISH

22	Gold + Tin
-----------	------------

www.harwin.com



HARWIN

2mm PITCH