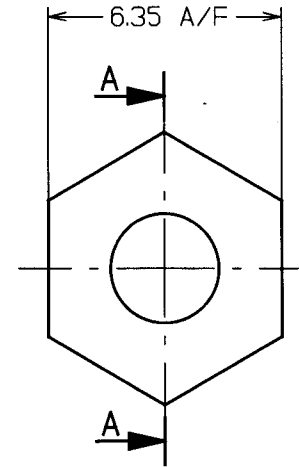
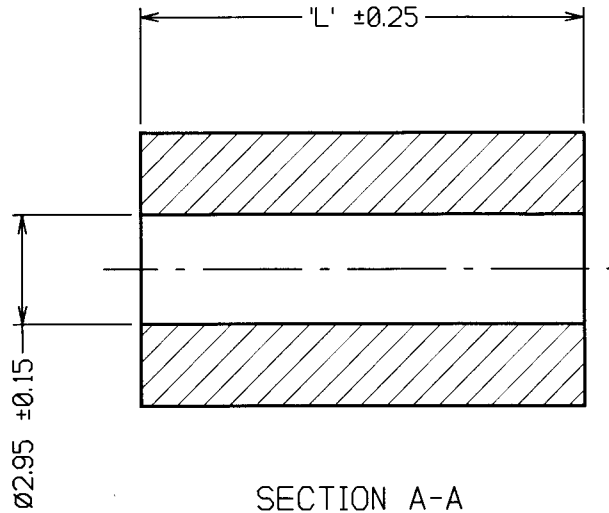


ORDER CODE:
R30-940XXXX

LENGTH IN mm
PLATING FINISH:
00 = UNSPECIFIED COLOUR
91 = GREY



PART No.	L	PART No.	L
R30-94003XX	3.00	R30-94018XX	18.00
R30-94004XX	4.00	R30-94020XX	20.00
R30-94005XX	5.00	R30-94025XX	25.00
R30-94006XX	6.00		
R30-94007XX	7.00		
R30-94008XX	8.00		
R30-94009XX	9.00		
R30-94010XX	10.00		
R30-94011XX	11.00		
R30-94012XX	12.00		
R30-94013XX	13.00		
R30-94014XX	14.00		
R30-94015XX	15.00		
R30-94016XX	16.00		

5	03.02.99	4762
4	30.09.96	3555
3	02.01.96	3146
2	27.11.95	3119
1	12.10.95	----
ISS.	DATE	C/N
APPROVED: <i>[Signature]</i>		
CHECKED: <i>[Signature]</i>		
DRAWN: D. BECK		
CUSTOMER REF.		
ASSEMBLY DRG:		

- NOTES:
1. REMOVE ALL BURRS.
 2. TO TAKE M3 SELF-TAPPING SCREW.

HARWIN

HARWIN INC
U.S.A.
TEL: (812) 285 0055
FAX: (812) 285 0056

HARWIN PLC
U.K.
TEL: 01705 370451
FAX: 01705 314590

HARWIN PTE
SINGAPORE
TEL: 65 7794909
FAX: 65 7793868

TOLERANCES
X. = ±1mm
X.X = ±0.25mm
X.XX = ±0.10mm
X.XXX = ±0.01mm
ANGLES = ±1°
UNLESS STATED

MATERIAL:
REGRIND POLYESTER
MMM 1698 REGRIND
(MMM 1297 30% PBT)

FINISH: CLEAN
S/AREA: mm²

TITLE:
M3 HEXAGONAL SPACER

DRAWING NUMBER:
R30-940XXXX

SHT
1 OF 1