

PROBE SPECIFICATIONS

Minimum Centers: .187 (4,75) for A, B, F and H tip styles, .275 (6,99) for HLF tip style

Current Rating: 5 amps continuous

Spring Force: 8.0, or 16.4 oz. @ .170 (4,32) travel

Typical Resistance: <8 mΩ

Working Travel: .170 (4,32)

Rated Force oz (gms)	Preload oz (gms)	Material
8.0 (227)	3.1 (88)	SS
16.4 (465)	2.8 (79)	MW

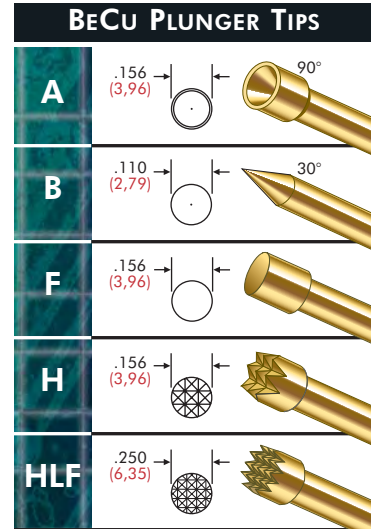
MATERIALS

Barrel: Nickel/silver, gold plated

Spring: Music wire or stainless steel

Plunger: Full-hard beryllium copper, gold plated over nickel or optional Duralloy™

Receptacle: Nickel/silver, gold plated, gold plated post



RECEPTACLE OPTIONS				
Part Number	Style	Receptacle Length	Probe/Receptacle Combined Length	Comments
R-5-CR	Crimp	1.295 (32,89)	1.620 (41,15)	—
R-5-SC	Solder Cup	1.295 (32,89)	1.620 (41,15)	—
R-5-WW-429	Wire Wrap	1.724 (43,79)	2.049 (52,04)	.429 post length - .025 sq.

HOW TO ORDER: SPRING CONTACT PROBE					RECEPTACLE			
S	5	A	16.4	G	R	5	WW	429
SERIES	SIZE	TIP STYLE	SPRING FORCE	PLATING OPTIONS	SERIES	SIZE	TERMINATION	POST LENGTH
SPRING FORCE: 8.0 oz. @ .170 (4,32) travel 16.4 oz. @ .170 (4,32) travel					TERMINATIONS: CR: Crimp SC: Solder Cup WW: Wire Wrap			
PLATING OPTIONS: G: Gold Plated Plunger D: Duralloy™ Plated Plunger					POST LENGTH: WW: 429			
CRIMPING PLIERS: CP5 INSERTION TOOL: RT5								
View updates of this information at www.idinet.com								

Specifications subject to change without notice. Dimensions in inches (millimeters)