

8mm X 480mm LED LIGHT BAR

FEATURES

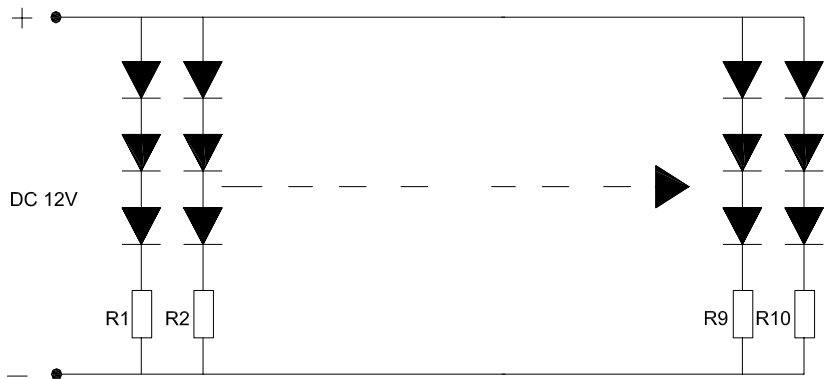
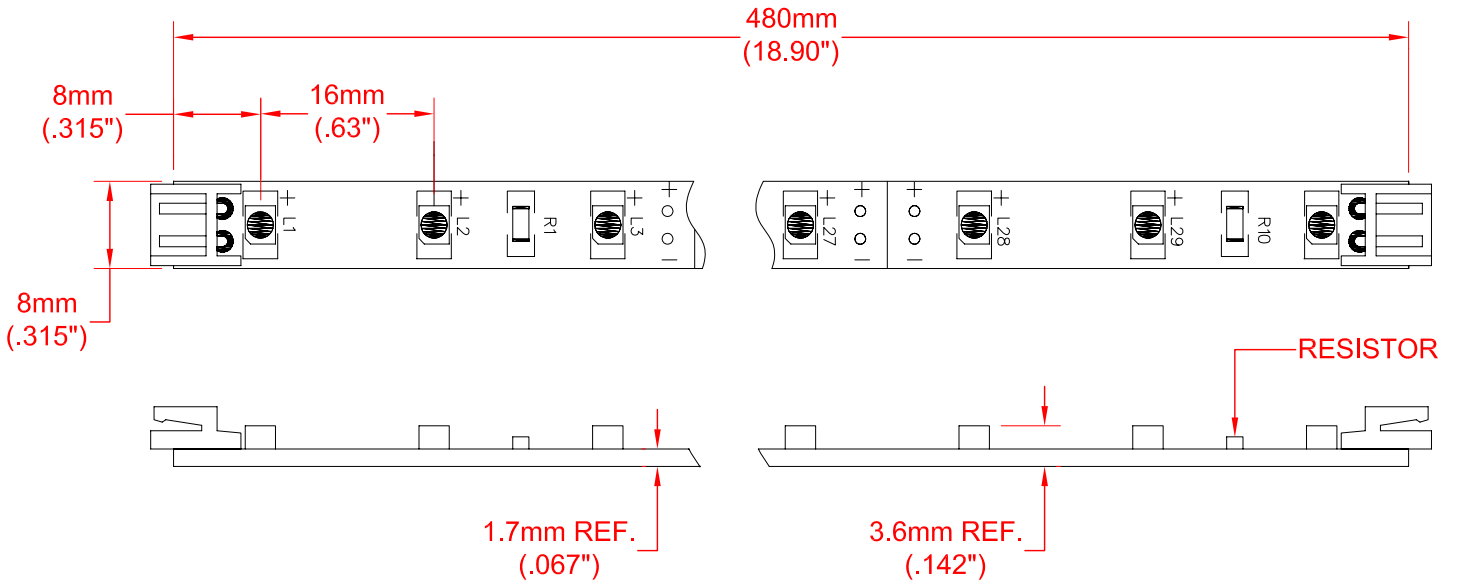
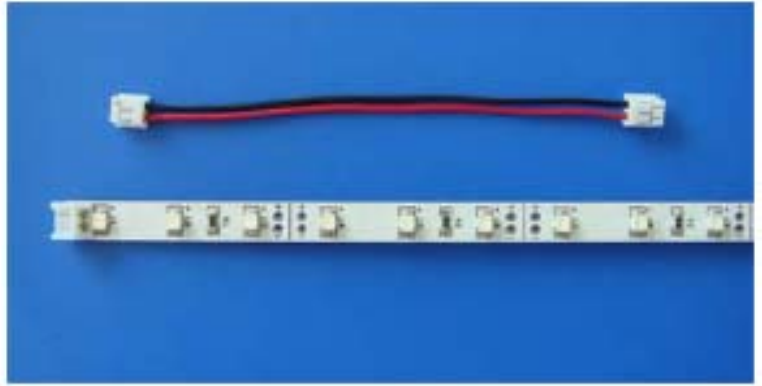
WORKING VOLTAGE: 12V DC.

WORKING CURRENT: 200mA.

LED VIEW ANGLE (2 θ 1/2): 120°.

PACKAGE: 1 PCS/PVC TUBE.

P.C.B. THICKNESS: 1.6mm



ATTENTION



OBSERVE PRECAUTION FOR HANDLING ELECTROSTATIC DISCHARGE SENSITIVE DEVICES

JKL PART NO.: ZRS-8480-CW

| | | | | | | | | | |
|---|-------------------|---|------------------|---|-----------------------------------|--------------------------|-----------------|----------|-----------------|
| METRIC THIRD ANGLE PROJECTION | | DIMENSIONS ARE IN MILLIMETERS TOLERANCE UNLESS OTHERWISE SPECIFIED 1 PL +/- 1 2 PL +/- ANGLE +/- | | JKL COMPONENTS CORPORATION TITLE 8mm X 480mm COOL WHITE LED LIGHT BAR | | | | | |
| DRAWN BY L. WENGSTROM | APPVD BY L. R. | DATE 4/22/08 | SIZE A | FSCM NO. 55335 | DRAWING NO. ZRS-8480-CW | RELEASED DATE 4/22/08 | REVISION DATE | REV. NO. | SHEET 1 OF 2 |
| - CAD DRAWING - MANUAL REVISIONS NOT PERMITTED | | | SCALE NONE | RELEASED DATE 4/22/08 | REVISION DATE | REV. NO. | SHEET 1 OF 2 | | |

| | | |
|----------|------------------------|------------|
| REV. NO. | DESCRIPTION/ECO NUMBER | APPVD DATE |
| RELEASED | | 4/22/08 |

8mm X 480mm LED LIGHT BAR

Absolute Maximum Rating at TA = 25°C

| Parameter | Symbol | Absolute Maximum Rating | Unit |
|-------------------------|--------|-------------------------|------|
| Forward Current | IF | 200 | mA |
| Power Dissipation | PD | 2.4 | W |
| Electrostatic Discharge | ESD | 800 | V |
| Operating Temperature | Topr | -25~+60 | °C |
| Storage Temperature | Tstg | -40~+80 | °C |

Electrical/Optical Characteristics at TA = 25°C

| Parameter | Symbol | Condition | Min | Typ | Max | Unit |
|---------------------------|----------|------------|------|------|------|------|
| Forward Voltage DC | VF | IF = 200mA | -- | 12 | -- | V |
| Color Coordinates | x, y | IF = 200mA | .285 | .300 | .315 | x |
| | | | .285 | .310 | .335 | y |
| Luminous Flux | ϕ_V | IF = 200mA | -- | 90 | -- | lm |
| Recommend Forward Current | IF(rec) | -- | -- | 200 | -- | mA |

JKL ACCESSORIES TO BE ORDERED SEPARATELY
PCB MOUNTING CLIP: ZRC-8
INPUT CONNECTOR HARNESS: ZCH-200-I
JOINER CONNECTOR HARNESS: ZCH-101-J