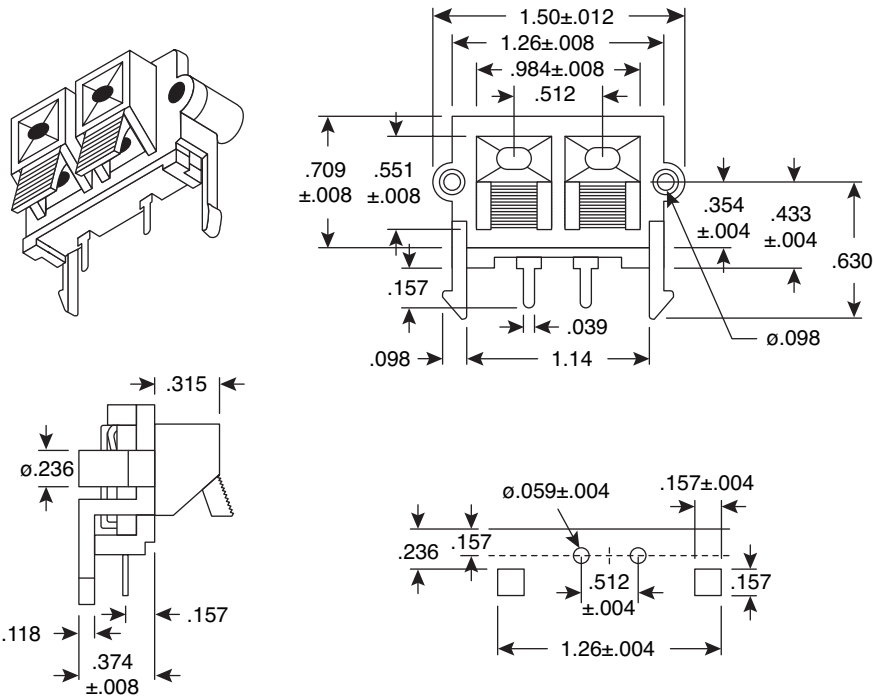


# Speaker Jack

151-0300-E



Speaker Jack



Dimensions: In.

## SPECIFICATIONS

<b>Type:</b>	PCB Mount, Printed Circuit
<b>Contact Resistance:</b>	30mΩ max.
<b>Insulation Resistance:</b>	100MΩ min.
<b>Dielectric Strength:</b>	500VAC (50/60Hz) for 1 Minute
<b>Temperature Increase:</b>	30°C max. (DC 4A)
<b>Lead Wire Holding Force:</b>	.5Kg min.
<b>Knob Handling Force:</b>	3KG max.
<b>Insertion Hole:</b>	2mm min.
<b>Terminal Strength:</b>	3Kg max.
RoHS Compliant	

## MATERIALS

<b>Body:</b>	ABS Plastic
<b>Contacts:</b>	Tin Plated
<b>Buttons:</b>	Color Coded (Black & Red)

Date Last Revised: 8-23-06

Available from Mouser Electronics  
1-800-346-6873  
www.mouser.com

KC-301047

151-0300-E