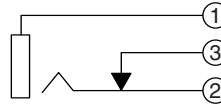
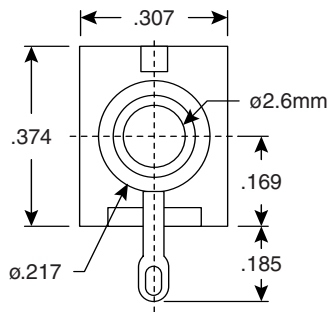
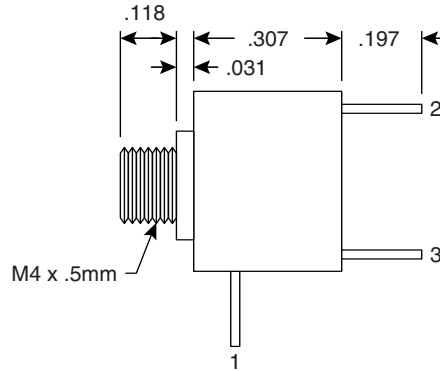
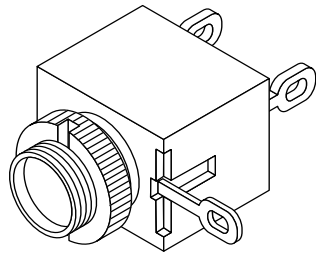


**Jack**  
161-0125



Jack



**DIMENSIONS: (IN.)**  
(except where noted)

SPECIFICATIONS	
<b>Type:</b>	2.5mm mono phone
<b>Insulation resistance:</b>	>50M $\Omega$ @ 100V
<b>Withstand voltage:</b>	250V for 1 minute
<b>Contact resistance:</b>	$\leq 30\text{m}\Omega$
<b>Life:</b>	5000 insertions
<b>Wave solder temp.:</b>	230°C max. for 3 seconds

Date Last Revised: 4-6-05

Available from Mouser Electronics  
1-800-346-6873  
www.mouser.com

KC-300401

161-0125