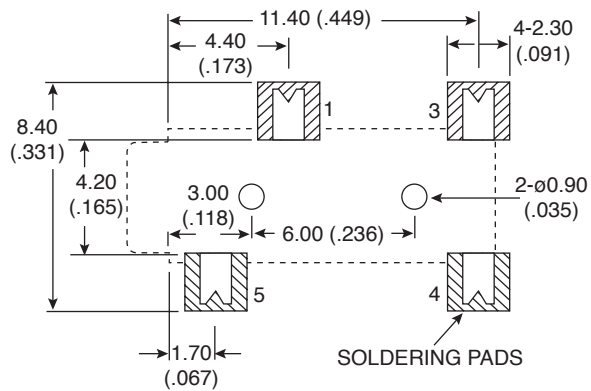
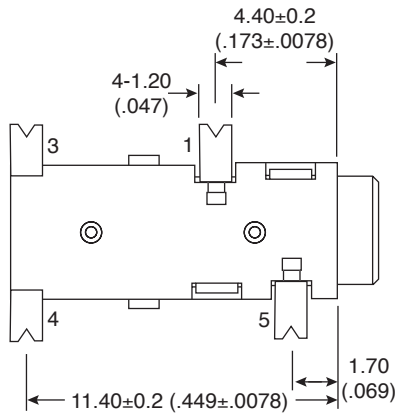
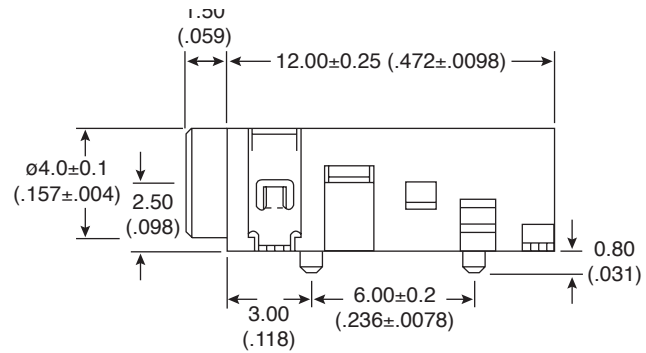
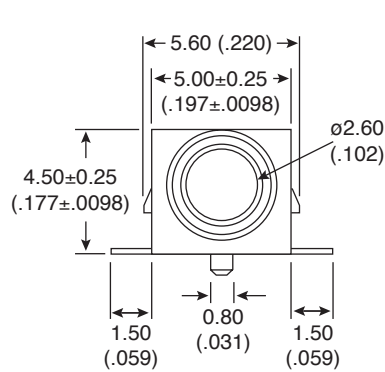
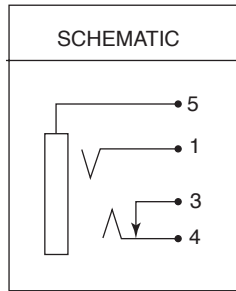


# 2.5mm Stereo Jack w/ Switch

161-4304-E



2.5mm Stereo Jack w/ Switch



RECOMMENDED PAD LAYOUT  
MOUNTING SIDE

Dimensions: mm

SPECIFICATIONS	
<b>Housing:</b>	LCP Black UL94V-0
<b>Terminals:</b>	Phosphor bronze silver plated
<b>Tip Terminal:</b>	Cu alloy silver plated
<b>Insertion/ Ext Force:</b>	.3-3 Kgs
<b>Dielectric Strength:</b>	250 VAC for 1 min.
<b>Insulation Resistance:</b>	100 M ohm minimum
<b>Contact Resistance:</b>	50 m ohm maximum
<b>Life Cycle:</b>	5000 matings minimum
<b>Operating Temperature:</b>	-25°C to +85°C
<b>Voltage Rating:</b>	16.0 VDC
<b>Current Rating:</b>	0.3 A
RoHS Compliant	

Date Last Revised: 6-23-06

161-4304-E

Available from Mouser Electronics  
1-800-346-6873  
www.mouser.com

KC-300988