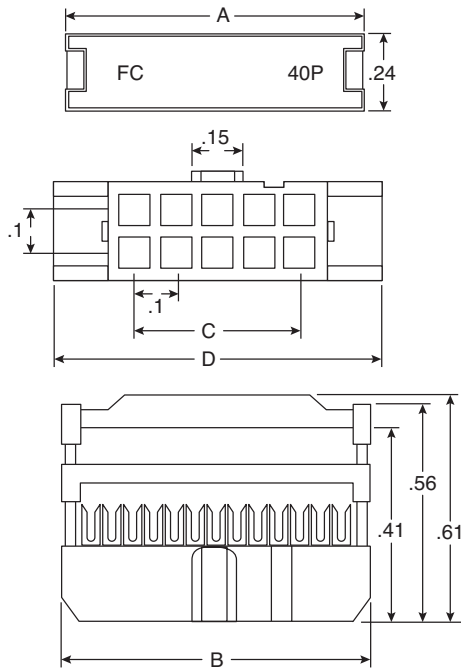
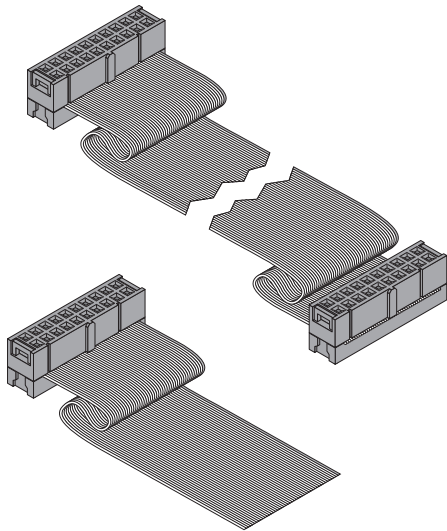


IDC Cable Assemblies

175-10100K06GA1 - 175-12600K36GA1

KOBICONN

IDC Cable Assemblies



Dimensions: (In.) and mm

Socket Specifications

No. of Contacts	Dimensions (In.)			
	A ±0.1	B ±0.1	C ±0.1	D ±0.1
10	0.45	0.68	0.40	0.27
14	0.65	0.88	0.60	0.37
16	0.75	1.02	0.70	0.42
20	0.95	0.98	0.90	0.52
24	1.15	1.38	1.10	0.62
26	1.25	1.48	1.20	0.67
34	1.65	1.88	1.60	0.87
40	1.95	1.95	2.18	1.02
50	2.47	2.68	2.39	1.27
60	2.95	3.17	2.90	1.52
64	3.15	3.38	3.10	1.62

Standard Cable Lengths:

6"
18"
36"

Note: Lengths measured between inside edge of sockets.

Specifications

Contacts:	Phosphor bronze
Contact finish:	Gold plated nickel
Insulator:	PBT & glass fiber reinforced
Flat cable wire size:	.05" spacing
Current rating:	1A DC
Contact resistance:	30mΩ@ 6VDC, 0.3A
Insulation resistance:	1000MΩ@ 500VDC
Dielectric breakdown:	500VAC for 1 minute
Polarizing key:	All sockets
Connectors color:	Black

Cable Specifications

Rate temperature:	105°C
Rate voltage:	300V
Conductor:	Stranded 28AWG 7 conductor
Insulation:	Polyvinyl cholride (PVC) gray
Insulation thickness average:	9mm
Min. insulation thickness:	7mm
Dielectric strength:	2KV in 1 min.
Conductor resistance:	max. 237Ω/km
Insulation resistance:	min. 1GΩ/m
Inductance:	1.45uH/M
Impedance:	100Ω
Propagation delay:	4.2 N5/m

Date Last Revised: 10/18/05

Available from Mouser Electronics
1-800-346-6873
www.mouser.com

KC-300790

175-10100K06GA1 - 175-12600K36GA1