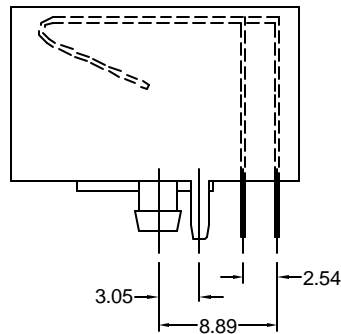
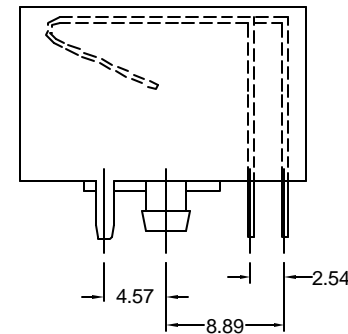


**3.05 Ground Pin Option**



**4.57 Ground Pin Option**



**Material and Finish**

Body: PBT, glass filled  
 UL94V-0 rated, color: black

Shield: 0.25mm thick  
 copper alloy, nickel plated 90u"

Contact Material: phosphor bronze,  
 nickel underplate on entire contact,  
 tin on termination end

Gold Plating Options on  
 Contact Area:  
 Standard: gold flash

50 option: 50u" gold  
 to comply with FCC  
 requirements under #47  
 C.F.R. Part 68,  
 Subpart F

**Electrical Characteristics**

Insulation Resistance:  
 500 Megohms min.

Dielectric Withstanding Voltage:  
 1000 Volts RMS,  
 for 1 minute

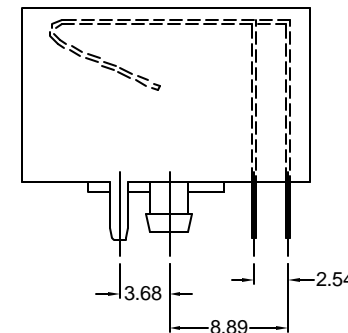
Contact Resistance:  
 20 milliohms max.

Current Rating: 1.5A

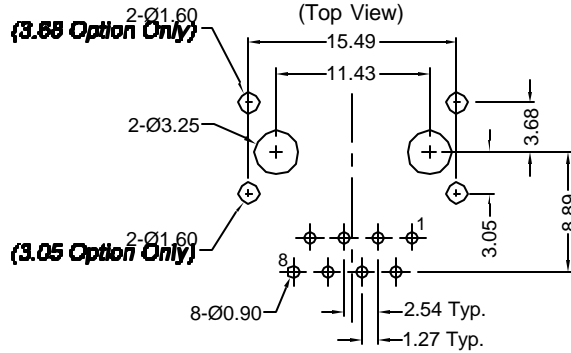
Durability Rating:  
 750 mating cycles min.

Operating Temperature:  
 -40°C to +85°C

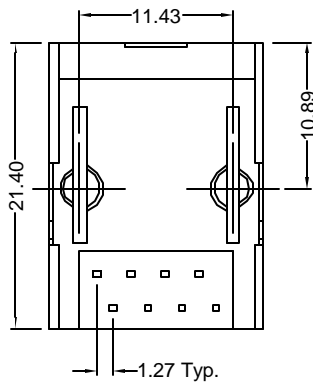
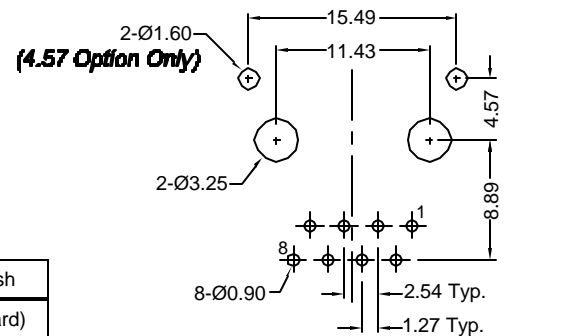
**3.68 Ground Pin Option**



**Recommended PCB Layout  
 (for 3.68 and 3.05 options)  
 (Top View)**



**Recommended PCB Layout  
 (for 4.57 option only)  
 (Top View)**



Part Number	Contact Plating Finish
GSX-NS-88-xxx	Gold Flash (standard)
GSX-NS-88-xxx-50	50u" Gold (-50 option)

**Electrical Performance**

Category 5 100MHz Bandwidth Performance  
 Performance meets near end crosstalk (NEXT)  
 Requirements of -40dB @ 100MHz per  
 EIA/TIA 568A in applications where UL  
 Approved Category 5 cable (GA27-3773-1)  
 is used

Shielded types offer 20dB shielding from  
 30MHz to 300MHz



Tolerances
X.X ± 0.25
X.XX ± 0.15
Unless Stated Otherwise

REV.	DATE	DESCRIPTION	REV. BY	CHK. BY	DRAWN BY	DATE
A1	10/5/05	New Drawing	R. Aguirre	H. MA	R. Aguirre	07/01/05
A2	3/6/08	ECO #08-030	R. Aguirre	H. MA		

**GSX-NS-88-xxx**

xxx = Ground pin option

Shielded RJ. Ang Modular Jack, RoHS Compliant

8 position/ 8 contacts, 4 sided shield

