

**Material and Finish**

Body: PBT UL 94V-0 Rated  
 Black Color  
 Center Pin: Copper Alloy, Nickel Plated  
 Pins 1 and 3: Brass, Tin Plated  
 Pin 2: Phosphor Bronze, Tin Plated  
 Insulator Material Color: Black

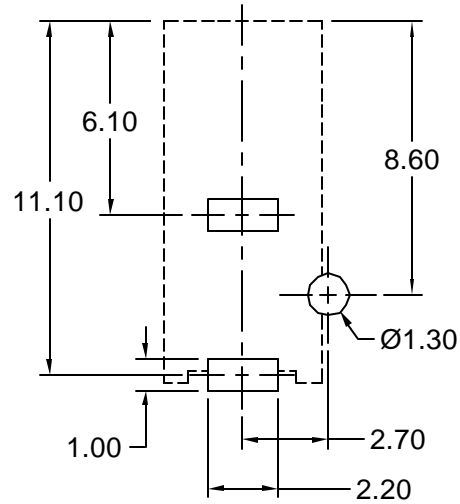
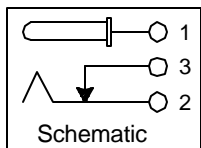
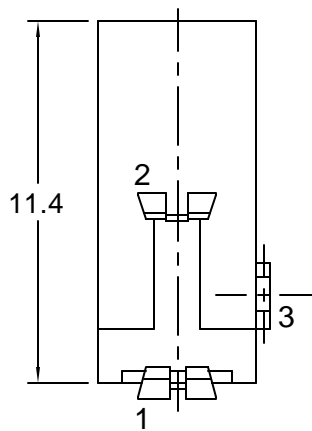
**Electrical Characteristics**

Contact Resistance  
 Before Durability Test  
 Between Terminals: 30 milliohms Max.  
 Plug to Contacts: 50 milliohms Max.  
 After Durability Test:  
 Between Terminals: 60 milliohms Max.  
 Plug to Contacts: 100 milliohms Max.  
 Rated Voltage: 24V DC  
 Rated Current: 2.5 amps  
 Insulation Resistance: 100 Megohms Min.  
 at 500V DC

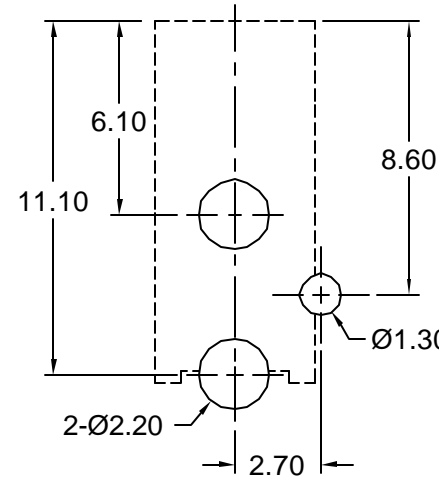
**Mechanical Characteristics**

Durability Test: 5000 cycles  
 Insertion Force: 0.3kg-2.0kg  
 Extraction Force: 0.3kg-2.0kg  
 Operating Temp: -25°C to +85°C

Part Number	Center Pin Diameter
KLDX-0201-AC	Ø1.00±0.05
KLDX-0201-BC	Ø1.30±0.05



PCB LAYOUT  
 Recommended  
 (Bottom View)



PCB LAYOUT  
 Alternate  
 (Bottom View)

**RoHS COMPLIANT**  
 EU Directive 2002/95/EC



Tolerances
X.X ± 0.25
X.XX ± 0.15
Unless Stated Otherwise

REV.	DATE	DESCRIPTION	REV. BY	CHK. BY	DRAWN BY	DATE
A1	7/18/05	New Drawing	H. MA	C. Furumasu	H. MA	7/18/05

**KLDX-0201-xC**

**Mini DC Power Jack, RoHS Compliant**  
**1.0/1.3mm pin, Crimped Leads**

