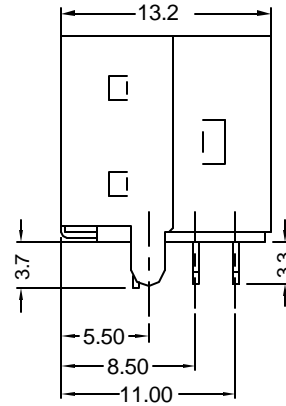
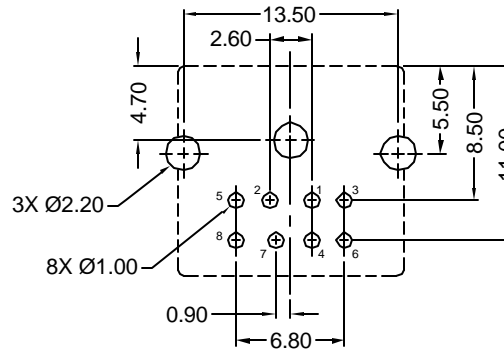
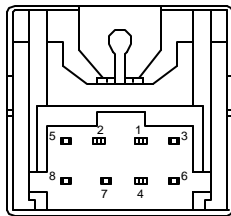


Kycon P/N: KMDLX-6S-BS



Recommended PCB Layout (Bottom View)



Kycon Part Number				
KMDLX-3S-BS	KMDLX-4S-BS	KMDLX-5S-BS	KMDLX-6S-BS	KMDLX-7S-BS
Socket Configuration				
Recommended PCB Layout (bottom view)				

Material and Finish

Body: PBT Thermoplastic,
UL94V-0 Rated, Color - Black
Contact: Copper Alloy, Silver Plated
Shield: SPCC, Tin Plated

Mechanical Characteristics

Insertion Force- 4.5 kg Max.
Withdrawal Force- 0.5kg - 3.0kg
Durability Test - 1500 Cycles

Electrical Characteristics

Contact Current Rating-
2.0 Amp Max @ 12V DC and 30°C
1.25 Amp Max @ 32V DC and 30°C
1.0 Amp Max @ 32V DC and 45°C

Contact Resistance*-
Before Durability Test:
Pin to Contact: 30 milliohms Max
Plug Shield to Socket: 50 milliohms Max
After Durability Test:
Pin to Contact: 60 milliohms Max
Plug Shield to Socket: 100 milliohms Max

Insulation Resistance-
50 Megohms Min at 250V DC

Dielectric Withstanding Voltage-
250VAC for 1 Minute

Operating Temperature-
-25°C to +80°C

*When used with KMDLA Series Plug



Tolerances
X.X ± 0.25
X.XX ± 0.15
Unless Stated Otherwise

REV.	DATE	DESCRIPTION	REV. BY	CHK. BY	DRAWN BY	DATE
A1	05/11/05	New Drawing	R. Aguirre	H. MA	R. Aguirre	05/04/05
A2	09/22/05	ECO #05-046	R. Aguirre	H. MA		

KMDLX-xS-BS

x=# of positions

Mini-dh, Fully Shielded RoHS Compliant

Works with KMDLA locking plugs

