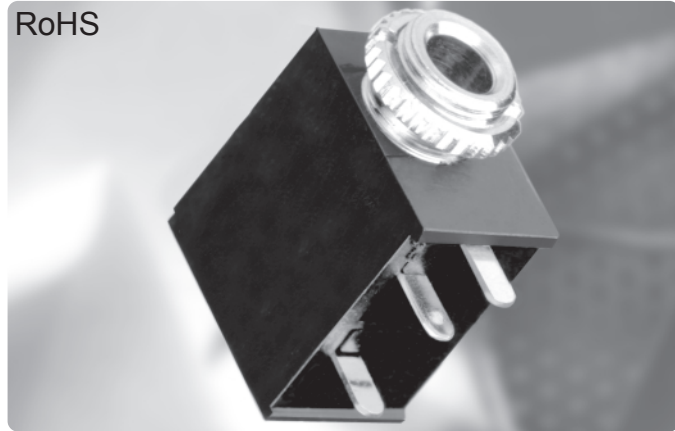


RoHS



## STX-314/315 Series PCB Mount 3.5mm Jack Slim Design with Switch

### Features



- Audio Applications for Computers and Multimedia
- Can be Used to Activate Speakers, an Equalizer or to Configure the Audio Signal
- Up to One Double-Pole Single-Throw Switch
- Spring Loaded Contacts for High Contact Reliability
- Narrow Body Uses Minimal Board Space
- CSA/NRTL Certified File No. LR78160

### Performance Specifications

#### Materials and Finish

Audio Jack

**Housing:** PBT Thermoplastic, Black Color, UL94V-0 Rated

**Cover:** PBT Thermoplastic, UL94V-0 Rated

**Bushing:** Brass, Nickel Plated

**Terminals and Contacts:** Phosphor Bronze, Tin Plated

**Coil Springs:** Spring Steel

#### Mechanical Characteristics

**Insertion Force :** 0.4kg - 3.0kg

**Extraction Force :** 0.3kg - 3.0kg

**Durability** 5000 Mating Cycles

#### Electrical Characteristics

**Contact Rating :** DC 16V at 0.3 Amps

##### Contact Resistance

Before Durability Test

**To Terminals:** 30 Milliohms Max.

**To Sleeve:** 50 Milliohms Max.

After Durability Test with Mating Plug

**To Terminals:** 60 Milliohms Max.

**To Sleeve:** 100 Milliohms Max.

**Insulation Resistance :** 100 Megohms Min. at 500V DC

**Dielectric Strength :** 500V AC RMS for 1 Minute

##### Temperature Rating

**Operating Temperature:** -25°C to + 85°C

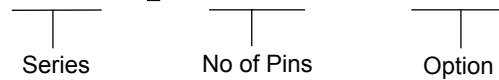
## AUDIO JACKS

### STX-314 / STX-315 Series

#### Documentation & Ordering Information


#### Kycon Part #

#### Part Number Builder



##### Series

STX-3140 - Crimped Leads, Black Cover

STX-3141 - Crimped Leads, Clear Cover

STX-3150 - Straight Leads, Black Cover

STX-3151 - Straight Leads, Clear Cover

##### Number of Pins

3 Pin

5 Pin (not available with Mono option)

##### Option

C - Threaded Barrel

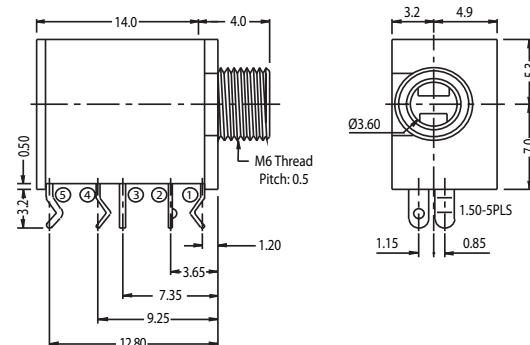
N - Non-Threaded Barrel

CM - Threaded Barrel, Mono

NM - Non-Threaded Barrel, Mono

#### STX-314 and STX-315 Series Dimensions Dimensions in mm

STX-3140 (Black Side Cover) STX-3141 (Clear Side Cover)  
Crimped Leads (shown with Threaded Bushing)



STX-3150 (Black Side Cover) STX-3151 (Clear Side Cover)  
Straight Leads (shown with Non-Threaded Bushing)

