

BF1 Fuse Rated 32V

RoHS



Specifications

- ISO 8820-5
- UL 248 Special Purpose Fuses
- Housing:** Out of thermoplastic (UL 94-V0, heat-resistant)
Visible melting element
- Connections:** Copper alloy, gal. Sn
2 x M5 or M6 bolts, distance 30 mm
- Starting torque:** 4.5 Nm +/- 1Nm
- Breaking capacity:** 30A - 150A: 2,000A, 32 VDC
200A: 1,500A, 32 VDC

The BF1-32 fuse is rated at 32V and offers a bolt-on fuse for high current wiring protection. Current rating 30A - 200A; with transparent housing for easy detection of blown fuses.

BF1-32 ist eine Schraubsicherung mit 32V Nennspannung zum Schutz von Hochstrom-Verdrahtungen. Nennstrom 30A bis 200A, transparente Abdeckung zur leichten Erkennung durchgebrannter Sicherungen.

Time-Current Characteristics / Schmelzeit-Grenzwerte

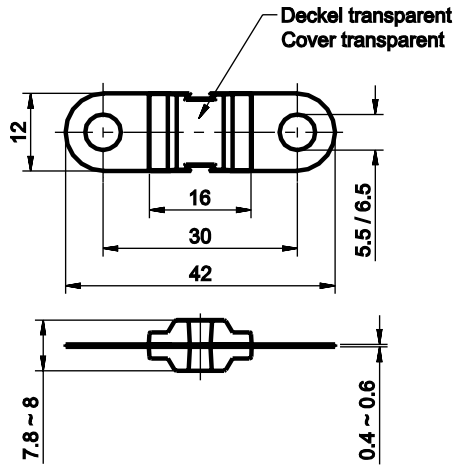
% of Rating % des Nennstromes	Opening Time Min / Max (s) Schmelzcharakteristik Min / Max (s)
75 (200A)	100 h / -
100 (30A-150A)	100 h / -
110 (30A-150A)	14,400 s / -
150 (30A-150A)	300 s / 3,600 s
200 (30A-150A)	3 s / 300 s
200 (200A)	1 s / 15 s
300 (30A-150A)	300 ms / 3 s
350 (200A)	300 ms / 5 s
500 (30A-150A)	100 ms / 1 s
600 (200A)	100 ms / 1 s

Part Number Artikel-Nr.		Current Rating Nennstrom	Housing Color Kennfarbe	Typ. Voltage Drop Typ. Spannungsfall		Cold Resistance Kaltwiderstand	I ² t
M5	M6			Standard DIN max.	Littelfuse max.		
153.5631.530_	153.7010.530_	30 A		105 mV	105 mV	2.70 mΩ	5,100 A²s
153.5631.540_	153.7010.540_	40 A		90 mV	90 mV	1.56 mΩ	6,800 A²s
153.5631.550_	153.7010.550_	50 A		80 mV	80 mV	1.03 mΩ	6,900 A²s
153.5631.560_	153.7010.560_	60 A		80 mV	75 mV	0.75 mΩ	16,200 A²s
153.5631.570_	153.7010.570_	70 A		80 mV	70 mV	0.64 mΩ	22,000 A²s
153.5631.580_	153.7010.580_	80 A		75 mV	70 mV	0.55 mΩ	25,600 A²s
153.5631.610_	153.7010.610_	100 A		75 mV	70 mV	0.44 mΩ	42,500 A²s
153.5631.612_	153.7010.612_	125 A		75 mV	70 mV	0.34 mΩ	62,500 A²s
153.5631.615_	153.7010.615_	150 A		85 mV	70 mV	0.29 mΩ	83,400 A²s
153.5631.620_	153.7000.620_	200 A		85 mV	70 mV	0.24 mΩ	126,000 A²s

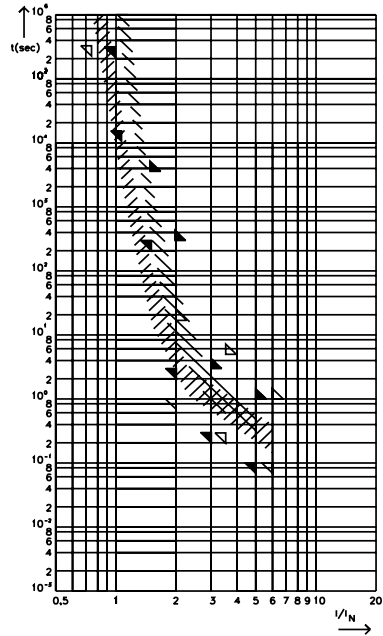
Last figure of part number = packaging code, see Section "Packaging Index," pg. 157.
Corresponding holder see Section "Fuse Holders."

BF1 Fuse Rated 32V

Dimensions in mm / Maße in mm



Pre-arcing Time - limits / Schmelzzeit-Grenzwerte DIN



30 A - 150 A: FI = 1.25 (max. operating current: $0.8 \times I_{rat}$ at 23°C)

200 A: FI = 2.00 (max. operating current: $0.5 \times I_{rat}$ at 23°C)