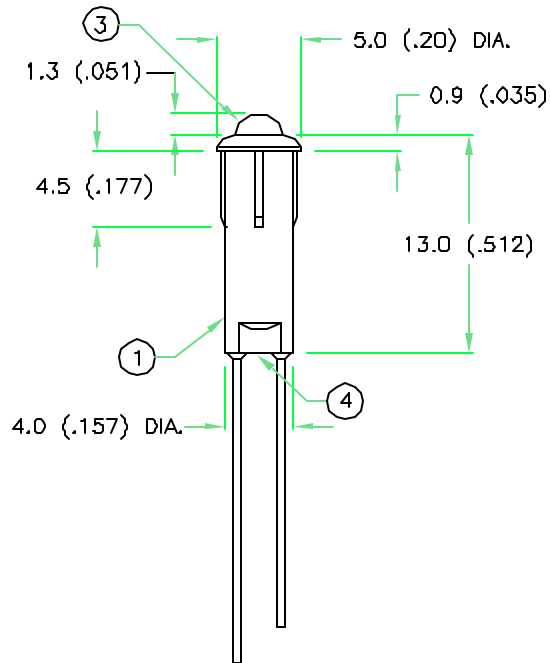


DATE	REVISIONS	REV
5-12-95	UPDATED SPECS./	A
6-5-96	E.C.N.#1017B./	B

DRAWING NUMBER	REV
SSI-LXH312GD	B



ELECTRO-OPTICAL CHARACTERISTICS $T_A=25^{\circ}\text{C}$ $I_f=20\text{mA}$

PARAMETER	MIN	TYP	MAX	UNITS	TEST COND
PEAK WAVELENGTH		565 (GREEN)		nm	
FORWARD VOLTAGE		2.0	2.8	V_f	
REVERSE VOLTAGE	5.0			V_r	$I_r=100\mu\text{A}$
AXIAL INTENSITY		10		mcd	$I_f=20\text{mA}$
VIEWING ANGLE		80		2x theta	
EMITTED COLOR	GREEN				
EPOXY LENS FINISH	GREEN DIFFUSED				

LIMITS OF SAFE OPERATION AT 25°C

PARAMETER	MAX	UNITS
PEAK FORWARD CURRENT*	150	mA
STEADY CURRENT	25	mA
POWER DISSIPATION	105	mW
DERATE FROM 25°C	-1.6	mW/°C
OPERATING, STORAGE TEMP	-40 TO +85	°C

* $t < 10\mu\text{s}$

NOTES:

- SSH-LXH3121 HOLDER. MATERIAL: BLACK NYLON 94V-0.
- MOUNTING HOLE: .170 - .174" DIA.
- SSL-LX3044GD LED.
- UV ADHESIVE FOR RETENTION OF LED.



292 E. HELLEN ROAD
PALATINE, ILLINOIS 60067
(708) 359-2790

CONFIDENTIAL INFORMATION
THE INFORMATION CONTAINED IN THIS DOCUMENT IS THE PROPERTY OF LUMEX OPTO COMPONENTS, INC. EXCEPT AS SPECIFICALLY AUTHORIZED IN WRITING BY LUMEX OPTO COMPONENTS, INC., THE HOLDER OF THIS DOCUMENT SHALL KEEP ALL INFORMATION CONTAINED HEREIN CONFIDENTIAL AND SHALL PROTECT SAME IN WHOLE OR IN PART FROM DISCLOSURE AND DISSEMINATION TO ALL THIRD PARTIES.

DATE: 2-21-94	DWN:	CHK'D:	APPD:
SCALE: N/A			

T-3 (T-1) LED, PANEL INDICATOR, GREEN DIFFUSED

PAGE 1 OF 1	DRAWING NUMBER SSI-LXH312GD	REV B
-------------	--------------------------------	----------