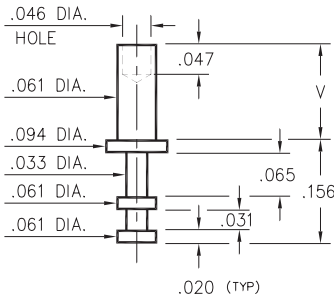
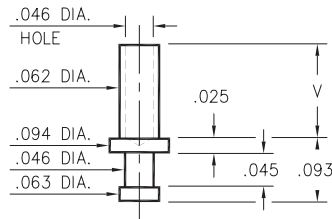


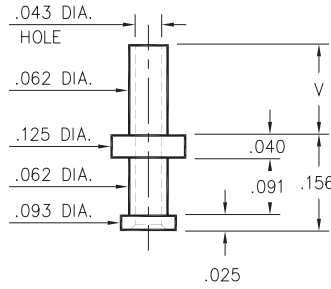
2348/2301/2506



2348-X-00-XX-00-00-07-0
Swage mount in .064 hole



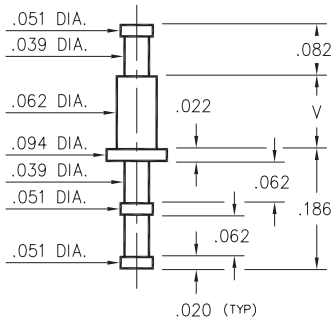
2301-X-00-XX-00-00-07-0
Swage mount in .067 hole



2506-X-00-XX-00-00-07-0
Swage mount in .067 hole

| - X - | Board Thickness | Length V |
|-------|-----------------|----------|
| 1 | .031 | .053 |
| 2 | .062 | .084 |
| 3 | .094 | .115 |
| 4 | .125 | .147 |

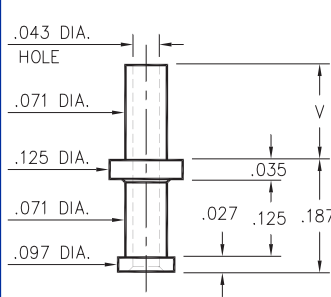
2310



2310-X-00-XX-00-00-07-0
Swage mount in .067 hole

| - X - | Board Thickness | Length V |
|-------|-----------------|----------|
| 1 | .031 | .053 |
| 2 | .062 | .082 |
| 3 | .094 | .113 |
| 4 | .125 | .145 |

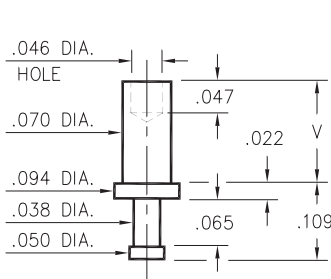
2505



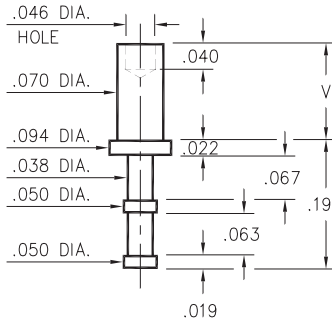
2505-X-00-XX-00-00-07-0
Swage mount in .076 hole

| - X - | Board Thickness | Length V |
|-------|-----------------|----------|
| 1 | .031 | .062 |
| 2 | .062 | .093 |
| 3 | .094 | .125 |
| 4 | .125 | .156 |

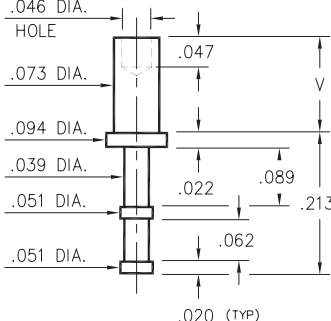
2325/2355/2365



2325-X-00-XX-00-00-07-0
Swage mount in .073 hole



2355-X-00-XX-00-00-07-0
Swage mount in .073 hole



2365-X-00-XX-00-00-07-0
Swage mount in .076 hole

| - X - | Board Thickness | Length V |
|-------|-----------------|----------|
| 1 | .031 | .053 |
| 2 | .062 | .084 |
| 3 | .094 | .115 |
| 4 | .125 | .147 |

SPECIFICATIONS

PIN MATERIAL:
Brass Alloy 360, 1/2 Hard
Swage pins are annealed

DIMENSION IN INCHES
TOLERANCES ON:
LENGTHS: ±.005
DIAMETERS: ±.002
ANGLES: ± 2°

ORDER CODE: 2XXX - X - 00 - XX - 00 - 00 - 07 - 0

BASIC PART #



SPECIFY PIN FINISH:
01 200μ" TIN/LEAD OVER NICKEL
80 200μ" TIN OVER NICKEL ◊
44 300μ" SILVER OVER COPPER ◊
50 300μ" ELECTRO-SOLDER (60/40 SnPb)