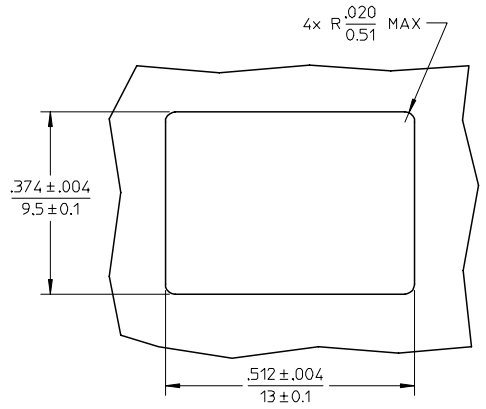
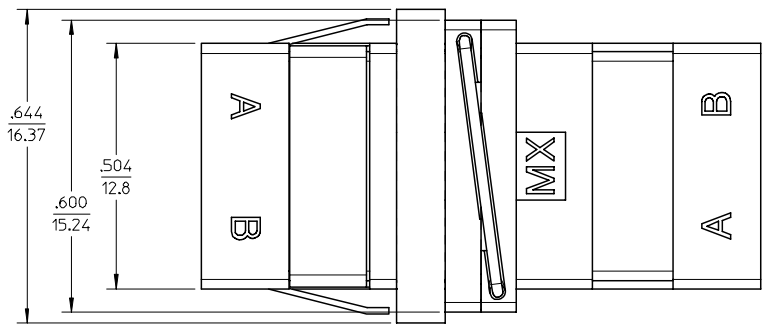
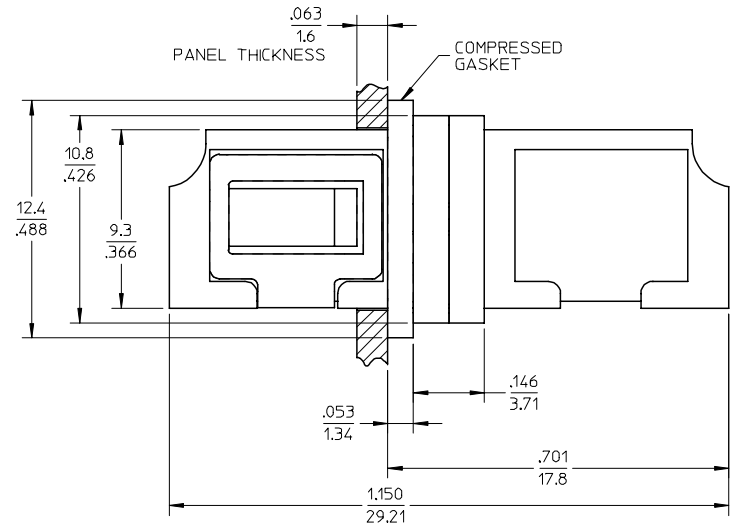
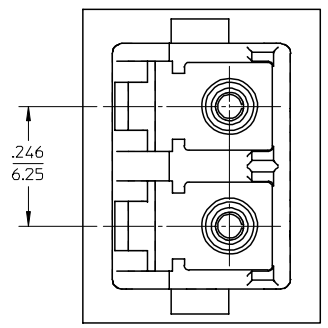
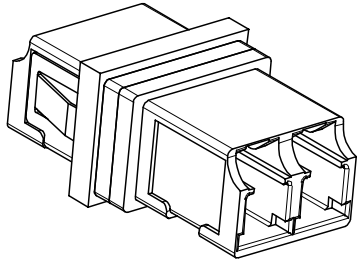


ADAPTER P/N	SPLIT SLEEVE MATERIAL
106115-2100	Zr
106115-2106	Ph. Bronze



RECOMMENDED PANEL CUTOUT
 PANEL THICKNESS - 1.6mm/.063"



- NOTES:
1. ALL DIMENSIONS ARE FOR REFERENCE ONLY.
 2. CONDUCTIVE FABRIC OVER FOAM GASKET IS SUPPLIED WITH PART.
 3. PART IS DIECAST.
 4. DUST CAPS NOT SHOWN.
 5. ADAPTERS TO BE PACKAGED IN TRAY.

ENTER DESCRIPTION	QUALITY SYMBOLS
EC NO: MF2006-0395 DRWN:PGIBLIN 2006/01/09 CHKD: 2006/01/09 APPR:IGUMIN 2006/01/09	▽=0 ▽=0 ▽=0
REV A	DESCRIPTION

GENERAL TOLERANCES (UNLESS SPECIFIED)	
mm	INCH
4 PLACES ± .004	± .001
3 PLACES ± .003	± .001
2 PLACES ± .002	± .001
1 PLACE ± .001	± .001
ANGULAR ±1/2°	
DRAFT WHERE APPLICABLE MUST REMAIN WITHIN DIMENSIONS	

DIMENSION STYLE	
IN/MM	
DRAWN BY	DATE
PGIBLIN	2005/12/08
CHECKED BY	DATE
APPROVED BY	DATE
MATERIAL NO.	DOCUMENT NO.
SEE TABLE	SD-106115-210X
SIZE B	THIS DRAWING CONTAINS INFORMATION THAT IS PROPRIETARY TO MOLEX INCORPORATED AND SHOULD NOT BE USED WITHOUT WRITTEN PERMISSION

SCALE	DESIGN UNITS	THIRD ANGLE PROJECTION
4:1	INCH	
TITLE		
LC-D EMI ADAPTER, (SNAP MOUNT)		
MOLEX INCORPORATED		
SHEET NO.	1 OF 1	