

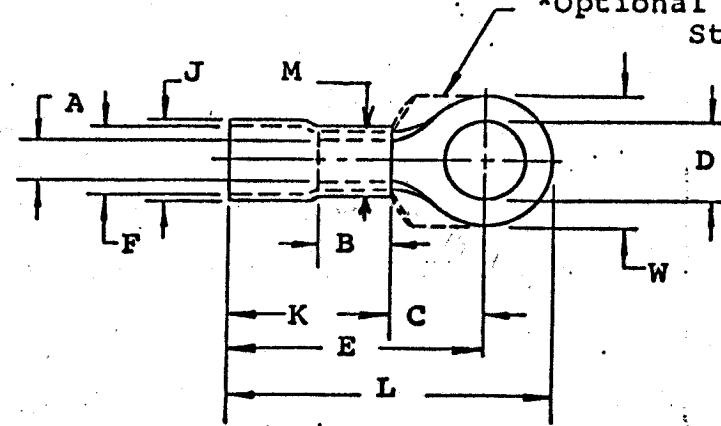
SD015

Doc. # SP-19071-002

MATERIAL: Copper  
 PLATING: Electro-Tin (.0003 Min.)  
 INSULATION: PVC Color Coded Red  
 STUD SIZES: ("D" ±.005)

INSULKRIMP X

\*Optional Style



"M" - .375" Maximum

|            |            |
|------------|------------|
| 06 - .146" | 38 - .390" |
| 08 - .173" | 76 - .453" |
| 10 - .198" | 12 - .515" |
| 14 - .265" | 58 - .656" |
| 56 - .328" | 34 - .781" |

| Part Number | "W"            | "C" Min. | "E" Max. | "K" Max. | "L" Max. | "A" Min. Avg. | "F" (MWID) | Stock Thickness | "J" Max. | "B" Min. | Available Stud Size        |
|-------------|----------------|----------|----------|----------|----------|---------------|------------|-----------------|----------|----------|----------------------------|
| D-650-X     | .478<br>.458   | .363     | 1.088    | .675     | 1.306    | .165          | .385       | .050            | .475     | .315     | 06, 08, 10, 14, 56         |
| D-651-X     | .593<br>.573   | .428     | 1.148    | .675     | 1.427    | .165          | .385       | .050            | .475     | .315     | 10, 14, 56, 38, 76         |
| D-652-X     | .822<br>.798   | .611     | 1.336    | .675     | 1.728    | .165          | .385       | .050            | .475     | .315     | 10, 14, 56, 38, 76, 12, 58 |
| D-653-X     | 1.137<br>1.113 | .986     | 1.715    | .675     | 2.278    | .165          | .385       | .050            | .475     | .315     | 14, 56, 38, 76, 12, 58, 34 |
| D-656-X     | .384<br>.364   | .363     | 1.088    | .675     | 1.265    | .165          | .385       | .050            | .475     | .315     | 06, 08, 10, 14             |
|             |                |          |          |          |          |               |            |                 |          |          |                            |
|             |                |          |          |          |          |               |            |                 |          |          |                            |
|             |                |          |          |          |          |               |            |                 |          |          |                            |
|             |                |          |          |          |          |               |            |                 |          |          |                            |

NOTE: (MWID) denotes maximum wire insulation diameter.



TITLE: CUSTOMER DRAWING  
 #8 WIRE RANGE (D)  
 RING TONGUE TERMINAL

DIMENSIONAL TOLERANCE  
 UNLESS OTHERWISE SPECIFIED

|       |      |      |
|-------|------|------|
| FRAC. | DEC. | ANG. |
| ±     | ±    | ±    |

|          |                          |               |         |
|----------|--------------------------|---------------|---------|
| REVISION |                          | SCALE: _____  | DATE    |
| A        | B MIN WAS 300 EP 7-20-89 | DRWN. BY: JTK | 1-21-70 |
|          |                          | CHKD. BY:     |         |
|          |                          | APPRD. BY:    |         |
|          |                          | DRAWING NO.:  |         |