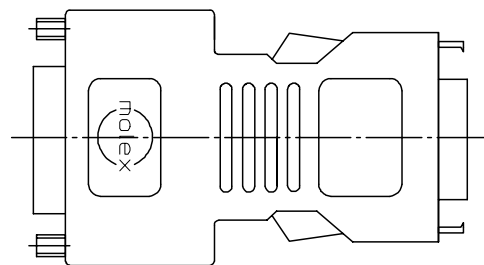
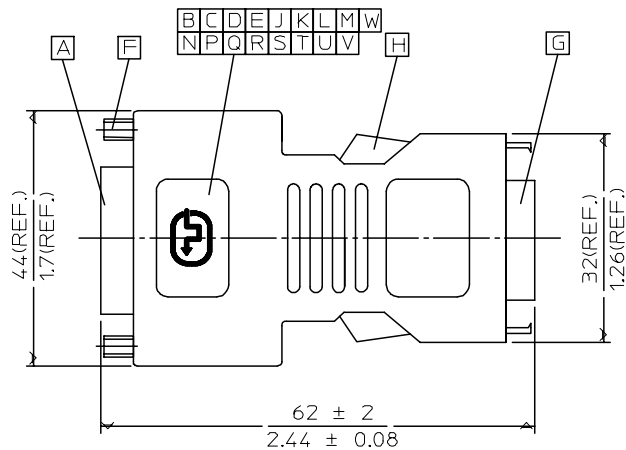
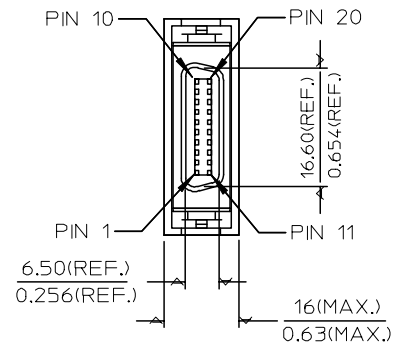


DVI-D(F)



BACK SIDE



DFP(M)

EC NO: DG2006-0096 DRWN:PDAI CHKD: APPR:TKAN	2005/10/19 2005/10/19 2005/10/20	DESCRIPTION REV	QUALITY SYMBOLS ▽=0 ◻=0	GENERAL TOLERANCES (UNLESS SPECIFIED)		DIMENSION STYLE MM/IN	SCALE ---	DESIGN UNITS METRIC	THIRD ANGLE PROJECTION	
				mm INCH	DRAWN BY PDAI	DATE 2005/10/18	TITLE DVI_D RECEPTACLE(F) TO DFP PLUG(M)			
			4 PLACES ± --- ± --- 3 PLACES ± --- ± --- 2 PLACES ± --- ± --- 1 PLACE ± --- ± ---	APPROVED BY ZXDENG	DATE 2005/10/18	MOLEX INCORPORATED				
			ANGULAR ± ---°	MATERIAL NO. 68802-0006	DOCUMENT NO. SD-68802-006	SHEET NO. 1 OF 2				
DRAFT WHERE APPLICABLE MUST REMAIN WITHIN DIMENSIONS				THIS DRAWING CONTAINS INFORMATION THAT IS PROPRIETARY TO MOLEX INCORPORATED AND SHOULD NOT BE USED WITHOUT WRITTEN PERMISSION						

NOTE:1. PLASTIC COVER: SNOW WHITE UL GRADE ABS.
 2. DVI CONNCETOR SPECIFICATION
 2.1 REFER TO PRODUCT SPEC. PS-74320-001.
 2.2 CONTACT PLATING: AU FLASH.
 3. SCREW SPECIFICATION
 3.1 SCREW P/N 887806066 : 4-40UNC.
 4. THIS PRODUCT MUST MEET MX RoHS COMPLIANCE.

MATERIAL LIST:

PIN ASSIGNMENT:

SHIELD	SHIELD	METAL CAN	GROUND
PIN 24	PIN 6	WHITE	TMDS CLOCK-
PIN 23	PIN 5	BROWN	TMDS CLOCK+
PIN 22	PIN 4	BRAID	TMDS CLOCK SHIELD
PIN 19	PIN 14	BRAID	TMDS DATA 0 SHIELD
PIN 18	PIN 15	BLUE	TMDS DATA 0+
PIN 17	PIN 16	WHITE	TMDS DATA 0-
PIN 16	PIN 18	WHITE	HOT PLUG DETECT
PIN 15	PIN 7	ORANGE	GROUND(+5V & HV SYNC)
PIN 14	PIN 8	YELLOW	POWER +5V
PIN 11	PIN 3	BRAID	TMDS DATA 1 SHIELD
PIN 10	PIN 1	BLACK	TMDS DATA 1+
PIN 9	PIN 2	WHITE	TMDS DATA 1-
PIN 7	PIN 19	RED	DDC DATA
PIN 6	PIN 20	VOILET	DDC CLOCK
PIN 3	PIN 13	BRAID	TMDS DATA 2 SHIELD
PIN 2	PIN 11	RED	TMDS DATA 2+
PIN 1	PIN 12	WHITE	TMDS DATA 2-
DVI_D	DFP	COLOR	CABLE FUNCTION

ITEM	DESCRIPTION	L	QTY.
W	COPPER FOIL 887801098		1
V	COPPER FOIL 887801082		1
U	SINGLE WIRE WHITE 887719809	41(REF.)	1
T	SINGLE WIRE VIOLET 887719807	41(REF.)	1
S	SINGLE WIRE YELLOW 887719803	41(REF.)	1
R	SINGLE WIRE ORANGE 887719802	41(REF.)	1
Q	SINGLE WIRE RED 887719801	41(REF.)	1
P	DVI-TMDS #28X1TP+AE RED 887808260	43(REF.)	1
N	DVI-TMDS #28X1TP+AE BLU 887808259	41(REF.)	1
M	DVI-TMDS #28X1TP+AE BRN 887808258	41(REF.)	1
L	DVI-TMDS #28X1TP+AE BLK 887808256	41(REF.)	1
K	H.S.T 887805003	8(REF.)	8
J	H.S.T 887805300	12(REF.)	8
H	SNOW WHITE LATCH 887899305		2
G	DFP20 CONNECTOR 887899294		1
F	DVID FEMALE SCREW 887806066		2
E	DVI(F) TO DFP(M) ADAPTER BOTTOM CAN 887899306		1
D	DVI(F) TO DFP(M) ADAPTER TOP CAN 887899297		1
C	DVI(F) TO DFP(M) ADAPTER BOTTOM COVER 172000517		1
B	DVI(F) TO DFP(M) ADAPTER TOP COVER 887899302		1
A	DVID FEMALE CONNECTOR 743207000		1

E
D
C
B
A

E
D
C
B
A

EC NO: DG2006-0096 DRWN:PDAI CHKD: APPR:TKAN 2005/10/19 2005/10/19 2005/10/20	QUALITY SYMBOLS ▽=0 ◻=0	GENERAL TOLERANCES (UNLESS SPECIFIED)		DIMENSION STYLE	SCALE	DESIGN UNITS	THIRD ANGLE PROJECTION	
				MM/IN	---	METRIC		
A	REV	DRAFT WHERE APPLICABLE MUST REMAIN WITHIN DIMENSIONS		DRAWN BY	DATE	TITLE		
				PDAI	2005/10/18	DVI_D RECEPTACLE(F) TO DFP PLUG(M)		
				CHECKED BY	DATE	MOLEX INCORPORATED		
				PDAI	2005/10/18			
				APPROVED BY	DATE			
				ZXDENG	2005/10/18			
				MATERIAL NO.	DOCUMENT NO.	SHEET NO.		
				68802-0006	SD-68802-006	2 OF 2		
				SIZE	THIS DRAWING CONTAINS INFORMATION THAT IS PROPRIETARY TO MOLEX INCORPORATED AND SHOULD NOT BE USED WITHOUT WRITTEN PERMISSION			
				A/4				