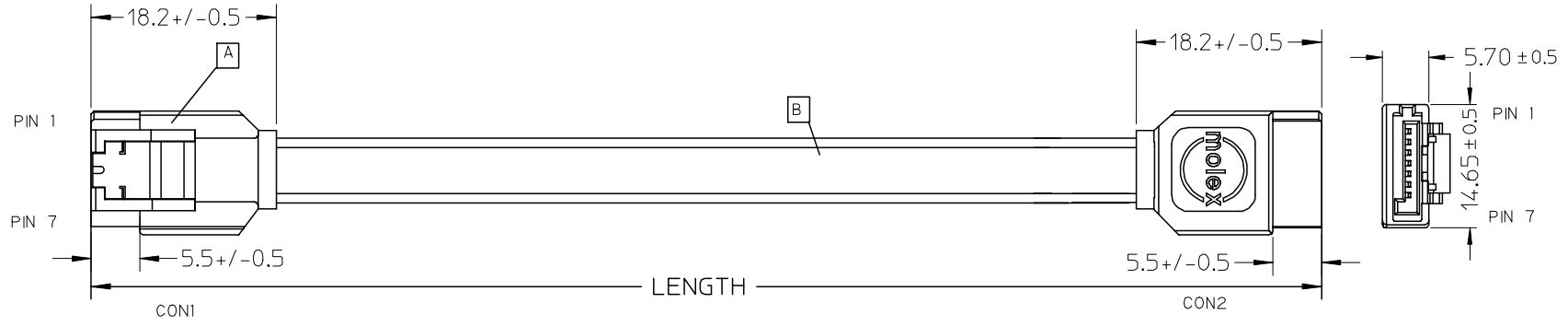
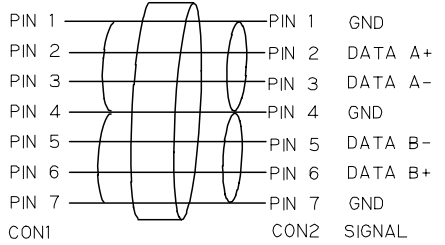


7 6 5 4 3 2 1



WIRE CHART



NOTE:  
 OUTER MOLD WITH BLACK PVC RESIN 887800042.  
 INNER MOLD WITH PE RESIN 887800008.

68809-0008	1006 +/- 20	3.3	S-ATA LATCHING ST TO ST CABLE, RED
68809-0007	488 +/- 10	1.6	S-ATA LATCHING ST TO ST CABLE, RED
MOLEX P/N	LENGTH (mm)	LENGTH (FT)	DESCRIPTION

B	S-ATA DATA CABLE RED 887808052	
A	S-ATA STRAIGHT RECEPTACLE WITH LATCH (Au 30u) 674899002	2
ITEM	DESCRIPTION	QTY.

ENTER DESCRIPTION EC NO: DG2006-0074	DRWN: 2005/10/19	CHKD: DQLUO	APPR: DQLUO
1	2005/10/19	2005/10/19	2005/10/20
REV	DESCRIPTION	QUALITY SYMBOLS	

GENERAL TOLERANCES (UNLESS SPECIFIED)		
	mm	INCH
4 PLACES	± ---	± ---
3 PLACES	± ---	± ---
2 PLACES	± ---	± ---
1 PLACE	± ---	± ---
ANGULAR ± ---°		
DRAFT WHERE APPLICABLE MUST REMAIN WITHIN DIMENSIONS		

DIMENSION STYLE MM ONLY	SCALE ---	DESIGN UNITS METRIC	THIRD ANGLE PROJECTION
DRAWN BY JLIU13	DATE 2005/10/07	TITLE SATA SIGNAL CBL 7 PIN STR TO STR 1.6FT W/LATCH	
CHECKED BY DQLUO	DATE 2005/10/07	MOLEX INCORPORATED	
APPROVED BY BORON	DATE 2005/10/07	MATERIAL NO. 688090007	DOCUMENT NO. SD-68809-007
SIZE A 4	THIS DRAWING CONTAINS INFORMATION THAT IS PROPRIETARY TO MOLEX INCORPORATED AND SHOULD NOT BE USED WITHOUT WRITTEN PERMISSION		
		SHEET NO. 1 OF 1	

6 5 4 3 2 1