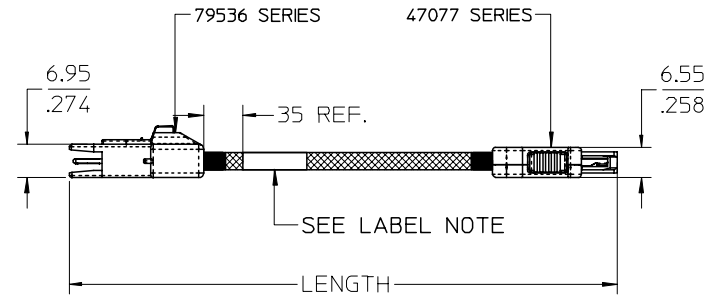
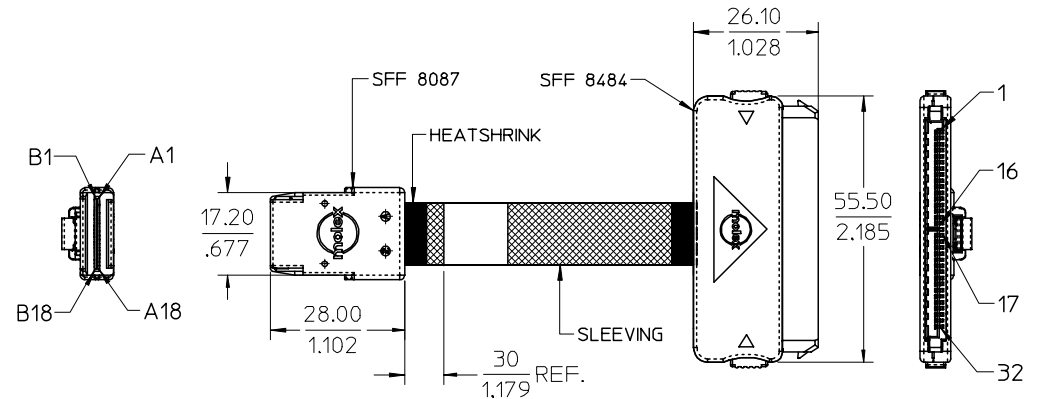


MATERIAL#	APPLICATION	SLEEVING	AWG	LENGTH(FT.)	TOL(+/- IN.)	PINOUT
74569-1007	Ctrl to Ctrl	YES	30	1.6	0.6	PINOUT1
74569-1008	Ctrl to Ctrl	YES	28	3.3	0.6	PINOUT1
74569-1009	Ctrl to BP	YES	30	1.6	0.6	PINOUT2
74569-1010	Ctrl to BP	YES	28	3.3	0.6	PINOUT2
74569-1011	Symmetric	YES	30	1.6	0.6	PINOUT3
74569-1012	Symmetric	YES	28	3.3	0.6	PINOUT3



NOTES:

- MATERIAL:
  - OVER MOLD - POLYBUTYLENE TEREPHTHALATE (PBT), 94-V0, GLASS FILLED 30%.
  - LATCH - STAINLESS STEEL ALLOY.
  - CABLE -
    - SIGNALS PVC INSULATION
    - SOLID COPPER SIGNAL AND DRAIN.
    - INNER DIELECTRIC IS POLYOLEFIN
    - TWIN-AX SHIELD IS ALUMINIZED POLYESTER FOIL.
  - PCB - FR4
- PRODUCT TO PERFORM PER  
PRODUCT SPECIFICATION: PS-79536-001.
- PRODUCT SERIES 79536 MATES TO 75783 (RIGHT ANGLE), 75794 (VERTICAL) AND 47077 (SFF 8484) SERIES MATES TO 87861 SERIES.
- THIS PRODUCT CONFORMS TO THE MECHANICAL DIMENSIONING AND ELECTRICAL PERFORMANCE REQUIREMENTS OF SFF-8086, SFF-8087 AND SFF-8484.
- MINIMUM RECOMMENDED BEND RADIUS 28 MM.
- ASSEMBLY IS RoHS COMPLIANT.
- LABEL NOTE:  
MOLEX  
74569-10XX  
MADE IN CHINA  
YY/WW



ENTER DESCRIPTION EC NO: USY2006-0287 DRWN:PHILLIPS 2006/03/29 CHKD:T.HALL 2006/04/10 APPR:DOOYE 2006/04/12	QUALITY SYMBOLS ▽=0 ▽=0	GENERAL TOLERANCES (UNLESS SPECIFIED)		DIMENSION STYLE	SCALE	DESIGN UNITS	THIRD ANGLE PROJECTION
		mm	INCH	MM/IN	1:1	METRIC	
DESCRIPTION REV	▽=0	4 PLACES	± ---	± ---	DRAWN BY JERWIN	DATE 2005/09/01	TITLE IPASS (MINI-SAS) INTERNAL CABLE 36 CKT, 4X TO 8484 FOR VAR
		3 PLACES	± ---	± .01	CHECKED BY T.HALL	DATE 2005/09/01	
		2 PLACES	± 0.25	± ---	APPROVED BY D.DOYE	DATE 2005/09/01	MOLEX INCORPORATED
		1 PLACE	± ---	± ---	MATERIAL NO. SEE TABLE	DOCUMENT NO. SD-74569-002	
		ANGULAR ± 1 °		DRAFT WHERE APPLICABLE MUST REMAIN WITHIN DIMENSIONS		SIZE B	
							SHEET NO. 1 OF 4

6

5

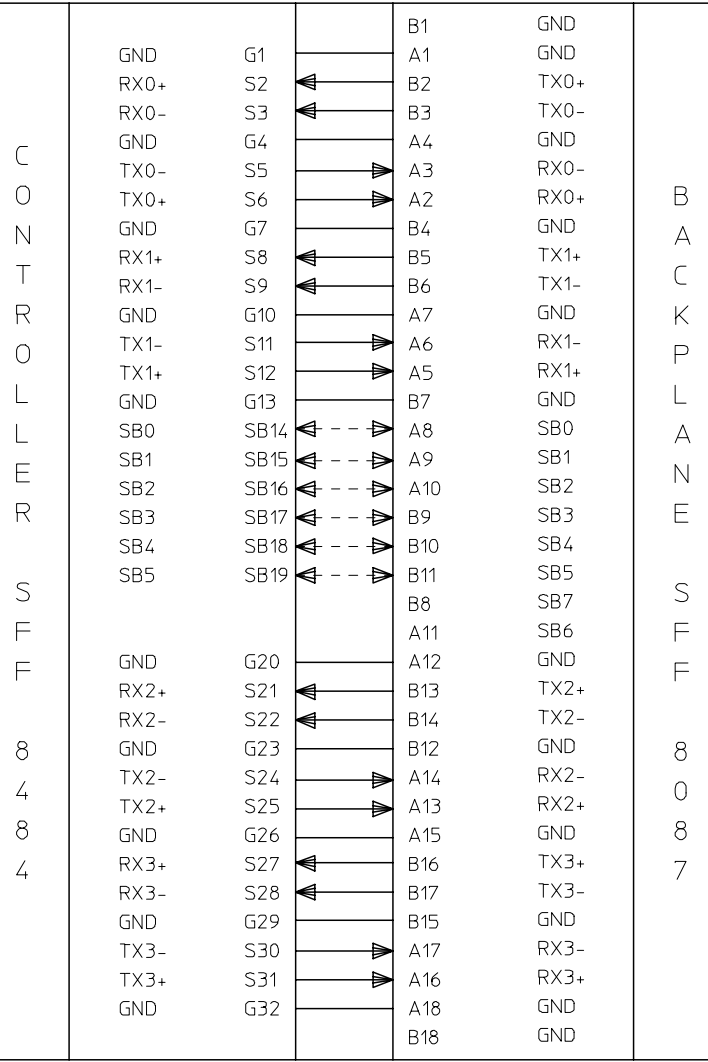
4

3

2

1

PINOUT 1



NOTE

PIN OUT IS COMPLIANT TO SAS 1.1 09D  
 5.2.4.1.2.4 FIG 79 AND SECTION  
 5.2.3.2.3.3 TBL 27 AND SECTION  
 5.2.3.2.2.3 TBL 24

REVISED VIEW EC NO: USY2006-0287 DRWN:PHILLIPS 2006/03/29 CHKD:T.HALL 2006/04/10 APPR:DOOYE 2006/04/12	DESCRIPTION REV	QUALITY SYMBOLS =0 =0.01	GENERAL TOLERANCES (UNLESS SPECIFIED)		DIMENSION STYLE MM/IN		SCALE 1:1	DESIGN UNITS METRIC	THIRD ANGLE PROJECTION	
			4 PLACES ± --- ± --- 3 PLACES ± --- ± .01 2 PLACES ± 0.25 ± --- 1 PLACE ± --- ± ---	mm INCH	DRAWN BY JERWIN	DATE 2005/09/01	TITLE IPASS™ (MINI-SAS) INTERNAL CABLE 36 CKT, 4X TO 8484 FOR VAR			
			ANGULAR ± 1 °		CHECKED BY T.HALL	DATE 2005/09/01				
			DRAFT WHERE APPLICABLE MUST REMAIN WITHIN DIMENSIONS		APPROVED BY D.DOYE	DATE 2005/09/01	MOLEX INCORPORATED			
					MATERIAL NO. SEE CHART	DOCUMENT NO. SD-74569-002	SHEET NO. 2 OF 4			
			SIZE 	THIS DRAWING CONTAINS INFORMATION THAT IS PROPRIETARY TO MOLEX INCORPORATED AND SHOULD NOT BE USED WITHOUT WRITTEN PERMISSION						

5

4

3

2

1



6

5

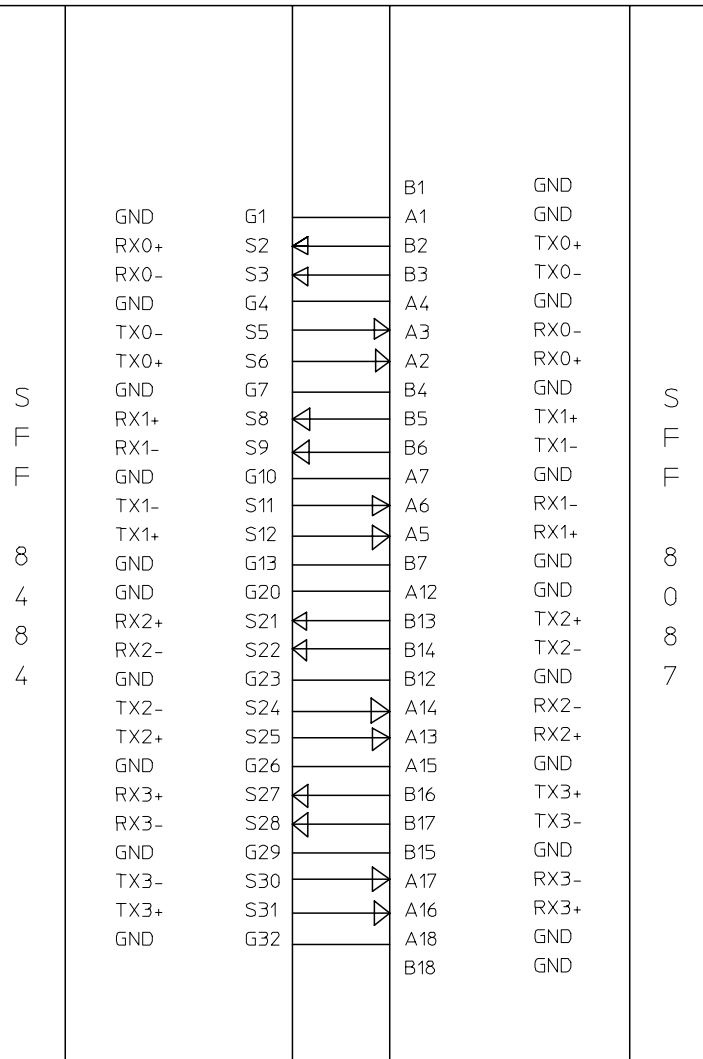
4

3

2

1

## PINOUT 3



## NOTE

1) NO SIDE BANDS

2) PIN OUT IS COMPLIANT TO SAS 1.1 09D  
5.2.4.1.2.4 FIG 79

ENTER DESCRIPTION EC NO: USY2006-0287 DRWN:KPHILLIPS 2006/03/29 CHKD:T.HALL 2006/04/10 APPR:DDOYE 2006/04/12 DESCRIPTION REV	QUALITY SYMBOLS	GENERAL TOLERANCES (UNLESS SPECIFIED)	DIMENSION STYLE	SCALE	DESIGN UNITS	THIRD ANGLE PROJECTION															
	=0 =0.01	<table border="1"> <tr> <th></th> <th>mm</th> <th>INCH</th> </tr> <tr> <td>4 PLACES</td> <td>± ---</td> <td>± ---</td> </tr> <tr> <td>3 PLACES</td> <td>± ---</td> <td>± .01</td> </tr> <tr> <td>2 PLACES</td> <td>± 0.25</td> <td>± ---</td> </tr> <tr> <td>1 PLACE</td> <td>± ---</td> <td>± ---</td> </tr> </table>		mm	INCH	4 PLACES	± ---	± ---	3 PLACES	± ---	± .01	2 PLACES	± 0.25	± ---	1 PLACE	± ---	± ---	MM/IN	1:1	METRIC	
		mm	INCH																		
	4 PLACES	± ---	± ---																		
3 PLACES	± ---	± .01																			
2 PLACES	± 0.25	± ---																			
1 PLACE	± ---	± ---																			
	ANGULAR ± 1 °	DRAWN BY JERWIN	DATE 2005/09/01	TITLE IPASS (MINI-SAS) INTERNAL CABLE 36 CKT, 4X TO 8484 FOR VAR																	
	DRAFT WHERE APPLICABLE MUST REMAIN WITHIN DIMENSIONS	APPROVED BY D.DOYE	DATE 2005/09/01	MOLEX INCORPORATED																	
		MATERIAL NO. SEE CHART		DOCUMENT NO. SD-74569-002	SHEET NO. 4 OF 4																
		THIS DRAWING CONTAINS INFORMATION THAT IS PROPRIETARY TO MOLEX INCORPORATED AND SHOULD NOT BE USED WITHOUT WRITTEN PERMISSION																			

5

4

3

2

1