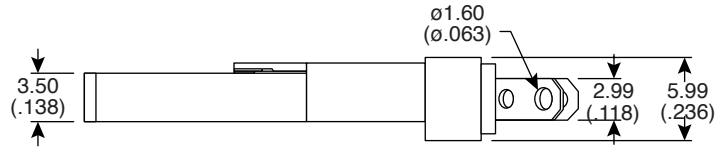
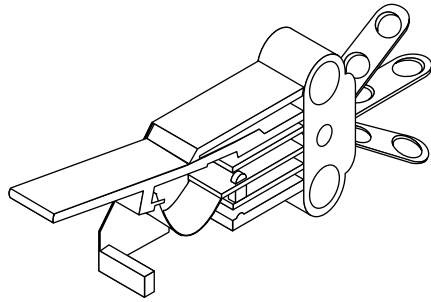
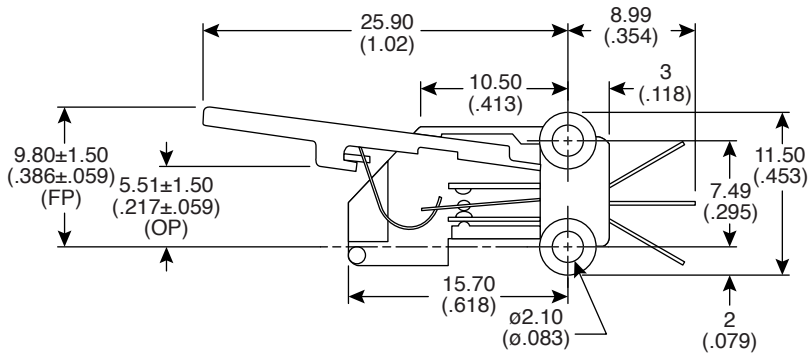


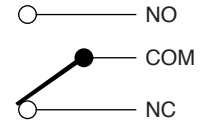
Dimensions: mm (In)



Top View



Side View



Circuit Diagram

Electrical Specifications:

- Rating: 1A/30VDC
- Contact resistance: <50mΩ
- Insulation resistance: 100MΩ @ 125VDC
- Dielectric Strength: 125VAC for 1 minute
- Electrical life: 40,000 cycles

Mechanical Specifications:

- Mechanical life: 300,000 cycles
- Operating force: 100gf max.

Note:

- FP: Free Position
- OP: Open Position
- RoHS Compliant

Leaf Switch
101-1302-EV

