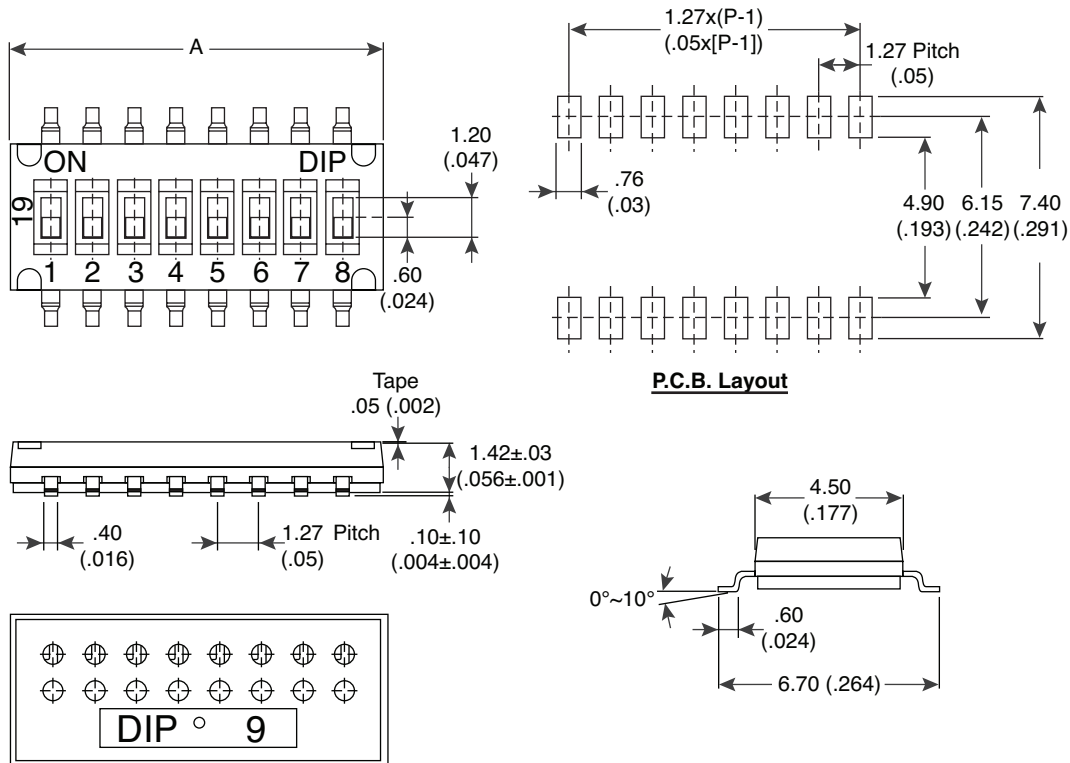
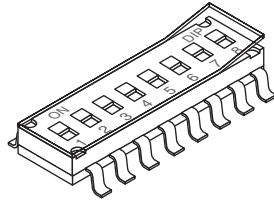


Dimensions: mm (in.)



Electrical Specifications:

- Rating: Non-switching: 100mA/50V DC
Switching: 25mA/24V DC
- Contact resistance: 100mΩ max. (initial)
- Insulation resistance: 100MΩ min.

Note:

- RoHS Compliant

Mouser Stock No.	No. of Pos.	Dim A. mm (In.)
106-NHD2-EV	2	3.77 (.148)
106-NHD4-EV	4	6.31 (.248)
106-NHD6T-EV	6	8.85 (.348)
106-NHD8T-EV	8	11.39 (.448)
106-NHD10T-EV	10	13.93 (.548)

Mechanical Specifications:

- Operating temperature: -40°C ~ +85°C
- Operation force: 500gf max.

Dip Switches

106-NHD2-EV, 106-NHD4-EV, 106-NHD6T-EV,
106-NHD8T-EV, 106-NHD10T-EV

