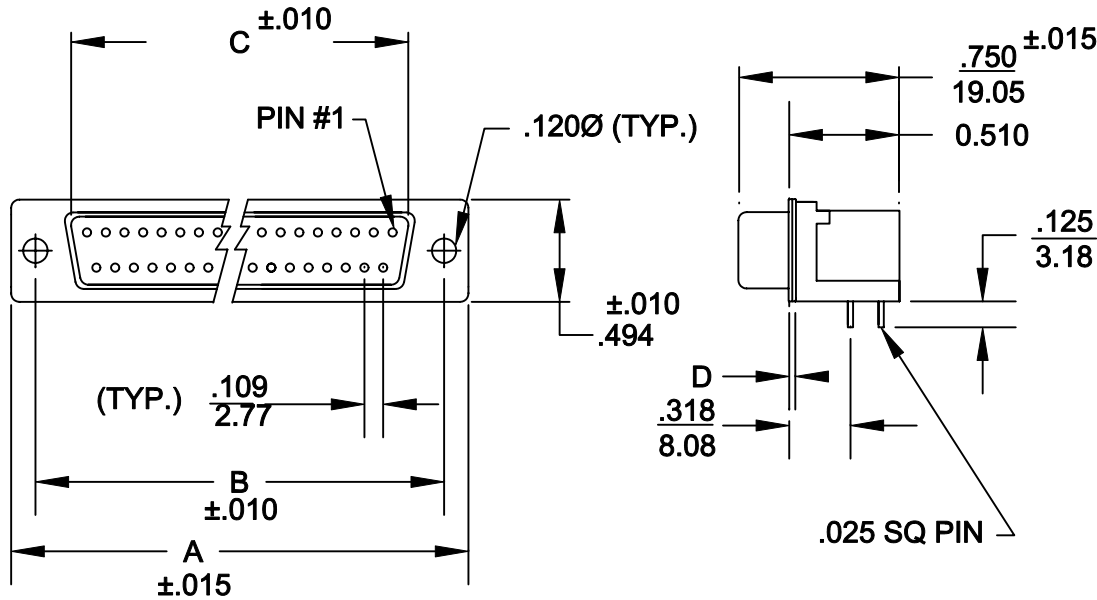
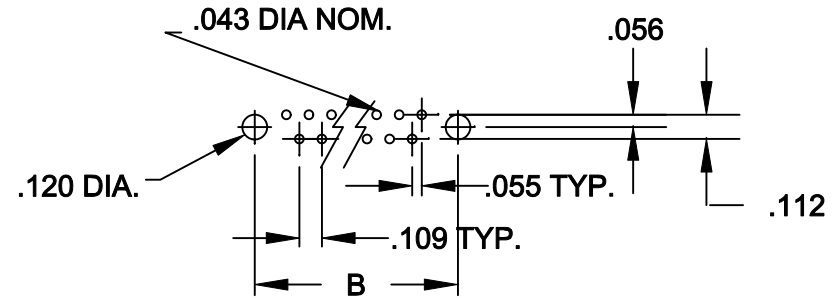


DESCRIPTION: R/A .318" FEMALE ECONOMY D-SUB  
RoHS COMPLIANT



	A	B	C	D
9	1.213	.984	.642	.030
	30.81	24.99	16.30	0.76
15	1.541	1.312	.971	.030
	39.14	33.32	24.65	0.76
25	2.088	1.852	1.512	.030
	53.04	47.04	38.40	0.76
37	2.729	2.500	2.157	.030
	69.32	63.50	54.80	0.76



**SPECIFICATIONS:**

**MATERIALS:**

- SHELL: STEEL, NICKEL PLATED
- INSULATOR: UL 94V-0 RATED BLACK-260 DEGREE NYLON - UL 94V-0
- CONTACTS: BRASS OR PHOSPHOR BRONZE

RoHS COMPLIANT

**ELECTRICALS:**

- CURRENT RATING: 5 AMPS
- DIELECTRIC STRENGTH: 1000V AC RMS
- INSULTOR RESISTANCE: 1000 MOHMS MIN
- TEMPERATURE: -55°C TO +105°C

SERIES 182-XXX-213RXX1  
 NUMBER OF CONTACTS \_\_\_\_\_  
 GENDER \_\_\_\_\_  
 2 = FEMALE  
 PC MOUNT \_\_\_\_\_  
 SHELL \_\_\_\_\_  
 3 = NICKEL SHELL  
 HARDWARE OPTIONS: \_\_\_\_\_  
 (SEE PAGE 2)  
 PLATING: \_\_\_\_\_  
 1 = GOLD FLASH



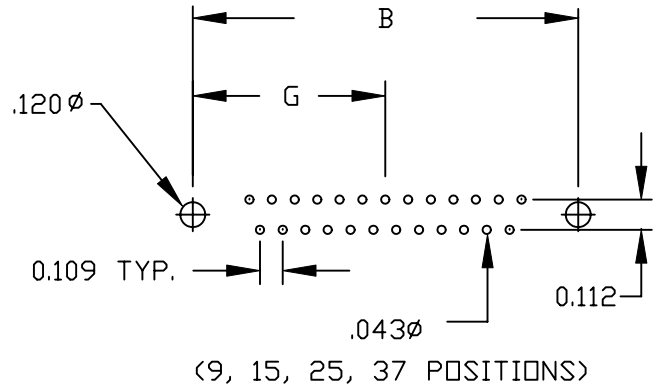
THESE DRAWINGS AND SPECIFICATIONS ARE THE PROPERTY OF NorComp AND SHALL NOT BE REPRODUCED, COPIED OR USED AS THE BASIS FOR THE MANUFACTURE OF SALE OF APPARATUS WITHOUT WRITTEN PERMISSION.


DRAWN: <b>PAM JENKINS</b>		DATE: <b>3-17-05</b>	
CHECKED:		DATE:	
SCALE: 1:1	SHEET <b>1</b>	OF <b>3</b>	REV <b>3</b>
DWG NO. <b>182-XXX-213RXX1</b>			

**NorComp**

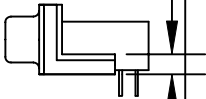
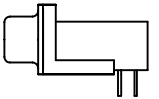
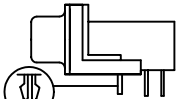
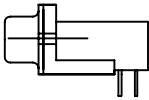
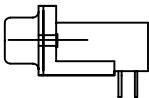
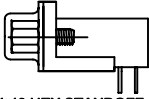
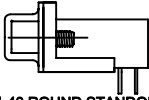
DESCRIPTION: R/A .318" FEMALE ECONOMY D-SUB  
RoHS COMPLIANT


POS	B	G
9	$\frac{.984}{24.99}$	$\frac{.492}{12.50}$
15	$\frac{1.312}{33.32}$	$\frac{.656}{16.66}$
25	$\frac{1.852}{47.04}$	$\frac{.926}{23.52}$
37	$\frac{2.500}{63.50}$	$\frac{1.25}{31.75}$



	THESE DRAWINGS AND SPECIFICATIONS ARE THE PROPERTY OF NorComp AND SHALL NOT BE REPRODUCED, COPIED OR USED AS THE BASIS FOR THE MANUFACTURE OF SALE OF APPARATUS WITHOUT WRITTEN PERMISSION.		DRAWN: <b>PAM JENKINS</b>	DATE: <b>3-17-05</b>
			CHECKED:	DATE:
<h1>NorComp</h1>		SCALE: 1:1	SHEET 2 OF 3	REV 3
		DWG NO. 182-XXX-213RXX1		

**DESCRIPTION:** R/A HARDWARE OPTIONS  
RoHS COMPLIANT

	 0.141±.020 METAL SHELL WITH INSIDE GROUND STRAPS	 METAL SHELL	 METAL SHELL FORK BOARD LOCKS
 .120" DIA. HOLE	16	43	N/A
 4-40 FLUSH INSERT	17	45	53 BOARD LOCKS IN HOLE
 4-40 HEX STANDOFF FEMALE SCREWLOCK	18	48	56 BOARD LOCKS IN HOLE
 4-40 ROUND STANDOFF FEMALE SCREWLOCK	N/A	N/A	N/A

	THESE DRAWINGS AND SPECIFICATIONS ARE THE PROPERTY OF NorComp AND SHALL NOT BE REPRODUCED, COPIED OR USED AS THE BASIS FOR THE MANUFACTURE OF SALE OF APPARATUS WITHOUT WRITTEN PERMISSION.		DRAWN: WAYNE ROBBINS	DATE: 3-17-05
			CHECKED:	DATE:
<b>NorComp</b>		SCALE:	SHEET <b>3</b>	OF <b>3</b>
		DWG NO. 182 HARDWARE		