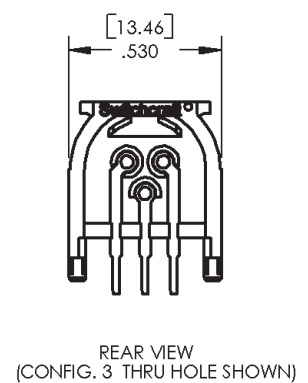
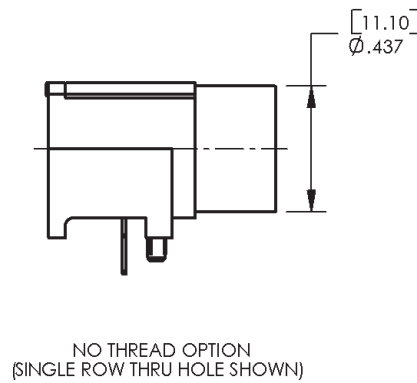
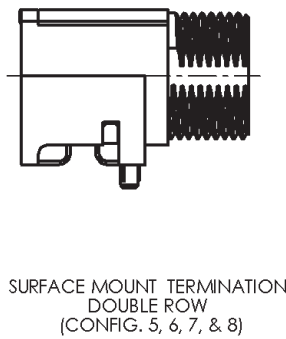
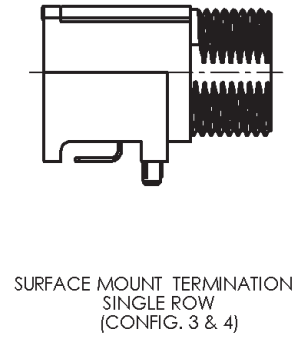
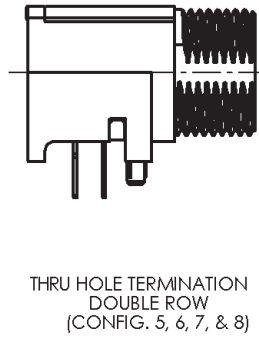
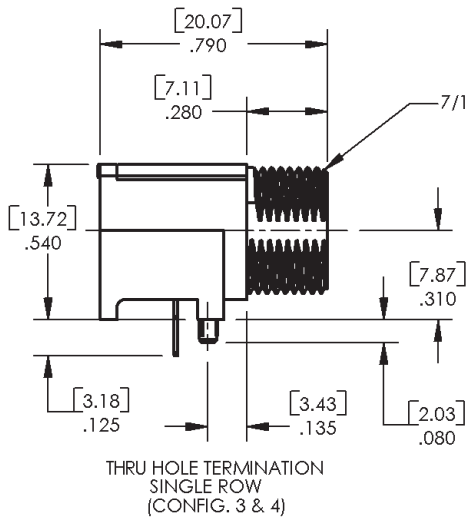


TRASM*M, TRAPC*M Series



Notes:

1. Threaded connectors supplied with hex nut and washer
2. Dimensions are in [mm]
inch