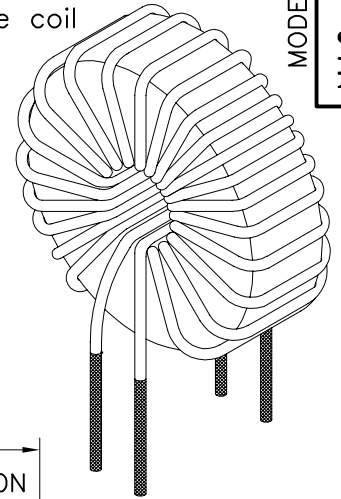
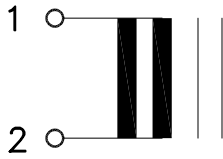


Amorphous Power Inductor

- ◆ For smoothing switching power supply output
- ◆ Rated Current: 10ADC
- ◆ Low core-loss at high frequency
- ◆ Amorphous iron cores with precised gap are used in the coil

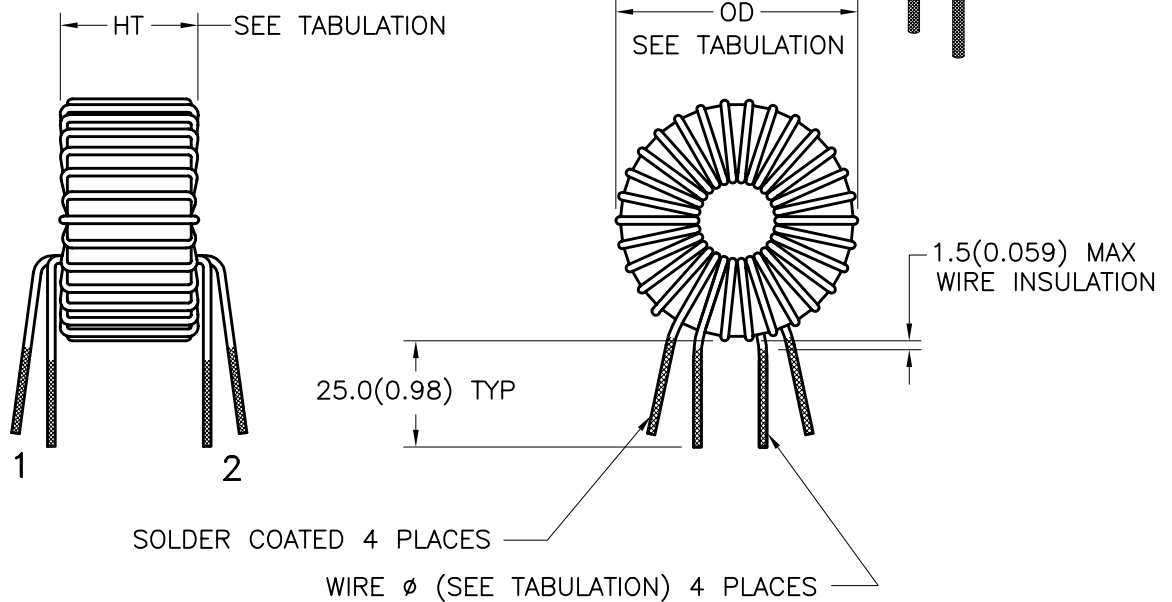
Schematic Diagram;



MODEL NUMBER

NAC-10 SERIES

Mechanical Specifications;



| Part Number | Rated Current (ADC) | Inductance (uH)±25% | DCR (mΩ) MAX | Wire Dia (ømm) | Dimension OD mm(In) MAX | Dimension HT mm(In) MAX |
|-------------|---------------------|---------------------|--------------|----------------|-------------------------|-------------------------|
| NAC-10-0031 | 10 | 30 | 9 | 1.0X2 | 29(1.14) | 19(0.75) |
| NAC-10-0051 | 10 | 50 | 10 | 1.1X2 | 34(1.34) | 20(0.79) |
| NAC-10-0101 | 10 | 100 | 15 | 1.1X2 | 34(1.34) | 20(0.79) |
| NAC-10-0151 | 10 | 150 | 18 | 1.1X2 | 43(1.69) | 21(0.83) |
| NAC-10-0201 | 10 | 200 | 25 | 1.1X2 | 43(1.69) | 21(0.83) |
| NAC-10-0301 | 10 | 300 | 32 | 1.1X2 | 48(1.89) | 28(1.10) |
| NAC-10-0501 | 10 | 500 | 45 | 1.1X2 | 56(2.20) | 29(1.14) |

PREPARED BY:

K. BRENNAN

NOTE: Inductance is measured at 20 KHz with specified DC current

ENGINEER:

M. PITCHAI

DWG CONTROL NO. P-A4-13607
ACAD\MXFMR\A4136071.DWG

REV

-

10A POWER INDUCTOR FOR SWITCH MODE POWER SUPPLIES

NAC-10 SERIES

QUALITY CONTROL:

T. CLEM

CONTENTS OF THIS DRAWING ARE SUBJECT TO CHANGE WITHOUT PRIOR NOTICE

TAMURA CORPORATION OF AMERICA
43352 BUSINESS PARK DRIVE, TEMECULA, CA. 92590-6624
(951) 699-1270 FAX 9516769482

MODEL SPECIFICATION

DIM: mm(In) SCL: 1/1 SH: 1 OF 1

APPROVED:

Y. SEKIGUCHI

PROPRIETARY NOTICE: THIS DRAWING PRINT OR DOCUMENT AND SUBJECT MATTER DISCLOSED HEREIN ARE PROPRIETARY ITEMS TO WHICH TAMURA RETAINS THE EXCLUSIVE RIGHT OF DISSEMINATION, REPRODUCTION, MANUFACTURE AND SALE. THIS DRAWING, PRINT OR DOCUMENT IS SUBMITTED IN CONFIDENCE FOR CONSIDERATION BY THE RECIPIENT ALONE UNLESS PERMISSION FOR FURTHER DISCLOSURE IS EXPRESSLY GRANTED IN WRITING.