

## Metallized Polyphenylene-Sulphide (PPS) SMD Film Capacitors with Box Encapsulation

### Special Features

- Size codes 1812, 2220, 2824, 4030, 5040 and 6054 with PPS and encapsulated
- Operating temperature up to 140° C
- Self-healing
- Suitable for lead-free soldering
- Low dissipation factor
- Low dielectric absorption
- Very constant capacitance value versus temperature
- According to RoHS 2002/95/EC

### Typical Applications

For general applications in high temperature circuits e.g.

- By-pass
- Blocking
- Coupling and decoupling
- Timing
- Filtering
- Oscillating circuits

### Construction

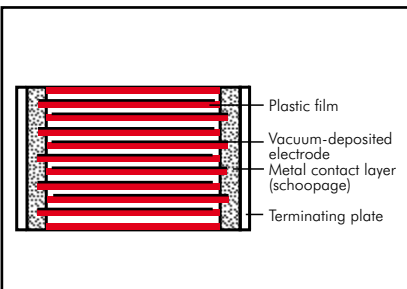
#### Dielectric:

Polyphenylene-sulphide (PPS) film

#### Capacitor electrodes:

Vacuum-deposited

#### Internal construction:



#### Encapsulation:

Solvent-resistant, flame-retardant plastic case, UL 94 V-0

#### Terminations:

Tinned plates.

#### Marking:

Colour: Black.

### Electrical Data

#### Capacitance range:

0.01 µF to 6.8 µF

#### Rated voltages:

63 VDC, 100 VDC, 250 VDC, 400 VDC, 630 VDC, 1000 VDC

#### Capacitance tolerances:

±20%, ±10% (±5% available subject to special enquiry)

#### Operating temperature range:

-55° C to +140° C

#### Climatic test category:

55/140/56 in accordance with IEC

#### Insulation resistance at +20° C:

$U_r$	$U_{test}$	$C \leq 0.33 \mu F$	$0.33 \mu F < C \leq 6.8 \mu F$
63 VDC 100 VDC	50 V 100 V	$\geq 1 \times 10^4 M\Omega$ (mean value: $3 \times 10^4 M\Omega$ )	$\geq 3000 \text{ sec} (M\Omega \times \mu F)$ (mean value: 6000 sec)
$\geq 250 \text{ VDC}$	100 V	$\geq 3 \times 10^4 M\Omega$ (mean value: $6 \times 10^4 M\Omega$ )	$\geq 6000 \text{ sec} (M\Omega \times \mu F)$ (mean value: 12000 sec)

Measuring time: 1 min.

#### Dissipation factors at +20° C: $\tan \delta$

at f	$C \leq 0.1 \mu F$	$0.1 \mu F < C \leq 1.0 \mu F$	$C > 1.0 \mu F$
1 kHz	$\leq 15 \times 10^{-4}$	$\leq 20 \times 10^{-4}$	$\leq 20 \times 10^{-4}$
10 kHz	$\leq 20 \times 10^{-4}$	$\leq 25 \times 10^{-4}$	-
100 kHz	$\leq 50 \times 10^{-4}$	-	-

#### Maximum pulse rise time: for pulses equal to the rated voltage

Capacitance µF	Pulse rise time V/µsec max. operation/test					
	63 VDC	100 VDC	250 VDC	400 VDC	630 VDC	1000 VDC
0.01 ... 0.022	25/250	25/250	30/300	35/350	40/400	45/450
0.033 ... 0.068	15/150	15/150	20/200	25/250	28/280	32/320
0.1 ... 0.22	10/100	10/100	12/120	15/150	18/180	-
0.33 ... 0.68	5/50	5/50	6/60	8/80	-	-
1.0 ... 2.2	3/30	3/30	4/40	-	-	-
3.3 ... 6.8	2/20	-	-	-	-	-

### Dip Solder Test/Processing

#### Resistance to soldering heat:

Test Tb in accordance with DIN IEC

60068-2-58/DIN EN 60384-20.

Soldering bath temperature max. 260° C.

Soldering duration max. 5 sec.

Change in capacitance  $\Delta C/C < 5\%$ .

#### Soldering process:

Wave soldering and re-flow soldering

(see temperature/time graphs page 14).

### Packing

Available taped and reeled in 12 mm blister pack.

Detailed taping information and graphs at the end of the catalogue.

For further details and graphs please refer to Technical Information.

## Continuation

### General Data

Capacitance	63 VDC/40 VAC*		100 VDC/63 VAC*		250 VDC/160 VAC*		400 VDC/200 VAC*		630 VDC/300 VAC*		1000 VDC/400 VAC*																																																		
	Size code	H ± 0.3	Size code	H ± 0.3	Size code	H ± 0.3	Size code	H ± 0.3	Size code	H ± 0.3	Size code	H ± 0.3																																																	
0.01 $\mu\text{F}$	1812 2220	3.0 3.5	1812 2220	3.0 3.5	2220	3.5	2824	3.0	5040	6.0	5040	6.0																																																	
0.015 "	1812 2220	3.0 3.5	1812 2220	3.0 3.5	2220	3.5	2824	5.0	5040	6.0	5040	6.0																																																	
0.022 "	1812 2220	3.0 3.5	1812 2220	3.0 3.5	2220 2824	3.5 3.0	4030 5040	5.0 6.0	5040	6.0	5040	6.0																																																	
0.033 "	1812 2220 2824	3.0 3.5 3.0	1812 2220 2824	3.0 3.5 3.0	2824 4030	3.0 5.0	4030 5040	5.0 6.0	5040	6.0	6054	7.0																																																	
0.047 "	1812 2220 2824	3.0 3.5 3.0	1812 2220 2824	3.0 3.5 3.0	2824 4030	5.0 5.0	4030 5040	5.0 6.0	5040	6.0	6054	7.0																																																	
0.068 "	1812 2220 2824	3.0 3.5 3.0	2220 2824	3.5 3.0	2824 4030	5.0 5.0	4030 5040	5.0 6.0	6054	7.0																																																			
0.1 $\mu\text{F}$	1812 2220 2824	3.0 3.5 3.0	2220 2824	3.5 3.0	2824 4030 5040	5.0 5.0 6.0	4030 5040 6054	5.0 6.0 7.0	6054	7.0																																																			
0.15 "	1812 2220 2824	3.0 3.5 3.0	2220 2824	3.5 3.0	4030 5040 6054	5.0 6.0 7.0	4030 5040 6054	5.0 6.0 7.0	6054	7.0																																																			
0.22 "	1812 2220 2824	4.0 4.5 5.0	2220 2824	4.5 5.0	4030 5040 6054	5.0 6.0 7.0	5040 6054	6.0 7.0																																																					
0.33 "	2220 2824 4030	4.5 5.0 5.0	2824 4030	5.0 5.0	4030 5040 6054	5.0 6.0 7.0	5040 6054	6.0 7.0																																																					
0.47 "	2220 2824 4030	4.5 5.0 5.0	2824 4030	5.0 5.0	4030 5040 6054	5.0 6.0 7.0	6054	7.0																																																					
0.68 "	2824 4030	5.0 5.0	4030	5.0	5040 6054	6.0 7.0																																																							
1.0 $\mu\text{F}$	2824 4030 5040	5.0 5.0 6.0	5040	6.0	6054	7.0	<p>Solder pad recommendation</p> <p>Dims. in mm.</p> <table border="1"> <thead> <tr> <th>Size code</th> <th>L ±0.3</th> <th>W ±0.3</th> <th>d</th> <th>a min.</th> <th>b min.</th> <th>c max.</th> </tr> </thead> <tbody> <tr> <td>1812</td> <td>4.8</td> <td>3.3</td> <td>0.5</td> <td>1.2</td> <td>3.5</td> <td>3.5</td> </tr> <tr> <td>2220</td> <td>5.7</td> <td>5.1</td> <td>0.5</td> <td>1.2</td> <td>4</td> <td>4.5</td> </tr> <tr> <td>2824</td> <td>7.2</td> <td>6.1</td> <td>0.5</td> <td>1.2</td> <td>4</td> <td>6.5</td> </tr> <tr> <td>4030</td> <td>10.2</td> <td>7.6</td> <td>0.5</td> <td>2.5</td> <td>6</td> <td>9</td> </tr> <tr> <td>5040</td> <td>12.7</td> <td>10.2</td> <td>0.7</td> <td>2.5</td> <td>6</td> <td>11.5</td> </tr> <tr> <td>6054</td> <td>15.3</td> <td>13.7</td> <td>0.7</td> <td>2.5</td> <td>6</td> <td>14</td> </tr> </tbody> </table>						Size code	L ±0.3	W ±0.3	d	a min.	b min.	c max.	1812	4.8	3.3	0.5	1.2	3.5	3.5	2220	5.7	5.1	0.5	1.2	4	4.5	2824	7.2	6.1	0.5	1.2	4	6.5	4030	10.2	7.6	0.5	2.5	6	9	5040	12.7	10.2	0.7	2.5	6	11.5	6054	15.3	13.7	0.7	2.5	6	14
Size code	L ±0.3	W ±0.3	d	a min.	b min.	c max.																																																							
1812	4.8	3.3	0.5	1.2	3.5	3.5																																																							
2220	5.7	5.1	0.5	1.2	4	4.5																																																							
2824	7.2	6.1	0.5	1.2	4	6.5																																																							
4030	10.2	7.6	0.5	2.5	6	9																																																							
5040	12.7	10.2	0.7	2.5	6	11.5																																																							
6054	15.3	13.7	0.7	2.5	6	14																																																							
1.5 "	4030 5040	5.0 6.0	6054	7.0	6054	7.0																																																							
2.2 "	5040 6054	6.0 7.0	6054	7.0																																																									
3.3 "	5040 6054	6.0 7.0																																																											
4.7 "	6054	7.0																																																											
6.8 "	6054	7.0																																																											

\* AC voltages:  $f \leq 400 \text{ Hz}$ ;  $1.4 \times U_{\text{rms}} + \text{UDC} \leq U_r$

■ New values and ranges.

Taped version see page 120.

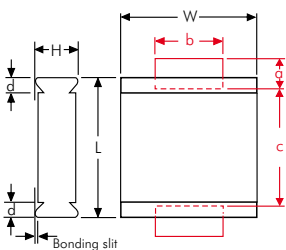
Rights reserved to amend design data without prior notification.

# Recommendation for Processing and Application of SMD Capacitors

## Layout Form

The components can generally be positioned on the carrier material as desired. In order to prevent soldering shadows or ensure regular temperature distribution, extreme concentration of the components should be avoided. In practice, it has proven best to keep a minimum distance of the soldering surfaces between two WIMA SMDs of twice the height of the components.

## Solder Pad Recommendation



Size code	L ± 0.3	W ± 0.3	d	a min.	b min.	c max.
1812	4.8	3.3	0.5	1.2	3.5	3.5
2220	5.7	5.1	0.5	1.2	4	4.5
2824	7.2	6.1	0.5	1.2	4	6.5
4030	10.2	7.6	0.5	2.5	6	9
5040	12.7	10.2	0.7	2.5	6	11.5
6054	15.3	13.7	0.7	2.5	6	14

The solder pad size recommendations given for each individual series are to be understood as minimum dimensions which can at any time be adjusted to the layout form.

## Processing

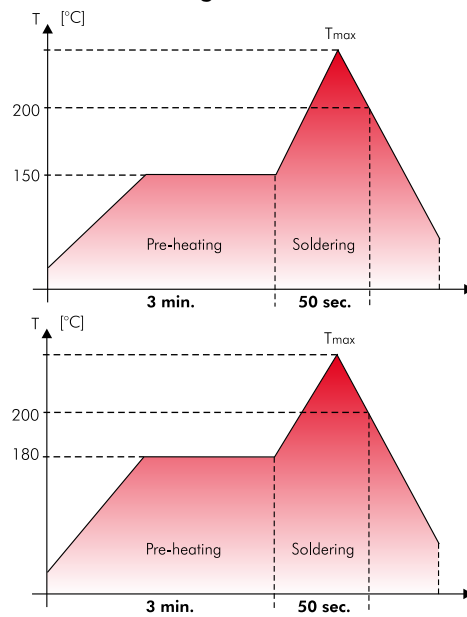
The processing of SMD components

- assembling
- soldering
- washing
- electrical final inspection/ calibrating

must be regarded as a complete process. The soldering of the printed circuit board, for example, can constitute considerable stress on all the electronic components. The manufacturer's instructions on the processing of the components are mandatory.

## Soldering Process

### Re-flow soldering



SMD-PET	
Size code	T <sub>max.</sub>
1812	220° C
2220	230° C
2824	230° C
4030	230° C
5040	240° C
6054	250° C

SMD-PEN	
Size code	T <sub>max.</sub>
1812	220° C
2220	230° C
2824	230° C
4030	230° C
5040	240° C
6054	250° C

SMD-PPS	
Size code	T <sub>max.</sub>
1812	250° C
2220	250° C
2824	250° C
4030	250° C
5040	250° C
6054	250° C

Temperature/time graph for the permissible processing temperature of the WIMA SMD film capacitor for typical convection soldering processes.

Due to the diverse procedures and the varying heat requirements of the different types of components, an exact processing temperature for re-flow soldering processes cannot be specified. The graph shows the upper limits of temperature and time which

must not be exceeded when establishing the solder profile according to your actual requirements.

A max. temperature of  $T = 210^{\circ}\text{C}$  inside the component should not be exceeded when processing WIMA SMD capacitors.

## SMD Handsoldering

WIMA SMD capacitors with plastic film dielectric are generally suitable for hand-soldering with a soldering iron where, however, similar to automated soldering processes, a certain duration and temperature should not be exceeded. These parameters are dependent on the physical size of the components and the relevant heat absorption involved.

The below data are to be regarded as guideline values and should serve to avoid damage to the dielectric caused by excessive heat during the soldering process. The soldering quality depends on the tool used and on the skill and experience of the person with the soldering iron in hand.

Size code	Temperature °C / °F	Time duration
1812	225 / 437	2 sec plate 1 / 5 sec off / 2 sec plate 2
2220	225 / 437	3 sec plate 1 / 5 sec off / 3 sec plate 2
2824	250 / 482	3 sec plate 1 / 5 sec off / 3 sec plate 2
4030	260 / 500	5 sec plate 1 / 5 sec off / 5 sec plate 2
5040	260 / 500	5 sec plate 1 / 5 sec off / 5 sec plate 2
6054	260 / 500	5 sec plate 1 / 5 sec off / 5 sec plate 2

## Solder Paste

To obtain the best soldering performance we suggest the use of following solder paste alloy:

### Lead free solder paste

Sn - Bi  
Sn - Zn (Bi)  
Sn - Ag - Cu

### Solder paste with lead

Sn - Pb - Ag (Sn60-Pb40-A, Sn63-Pb37-A)

## Washing

Basically, all plastic encapsulated components, irrespective of the brand cannot be considered as being hermetically sealed. They are therefore only suitable for industrial washing processes to a limited extent. During the washing process, washing agents can penetrate the interior of the component by capillary action through microcracks which might have occurred. This is dependent on a number of parameters e.g.

- washing agents
- viscosity of the washing solvent
- temperature/time of the washing process
- mechanical washing aids such as ultrasonic water pressure rinsing and spraying pressure

The type of washing agent to be used is largely specific to the individual user or is often laid down by the manufacturer of the washing equipment. The aggressiveness of the washing agent to be used can thus only be judged in appropriate test series relating to each individual washing process. By and large, the basic rule is that the washing process should be carried out as gently as possible.

## Drying

During the washing process, aqueous solutions can penetrate the component. This can lead to changes in the electrical parameters. Suitable drying measures should ensure that no residual moisture or traces of washing substances are left in the component.

## Initial Operation/Calibration

Due to the stress which the components are subjected to during processing, reversible parameter changes occur in almost all electronic components. The capacitance recovery accuracy to be expected with careful processing is within a scope of  $|\Delta C/C| \leq 5\%$ .

For the initial operation of the device a minimum storage time of  $t \geq 24$  hours

is to be taken into account. With calibrated devices or when the application is largely dependent on capacitance it is advisable to prolong the storage time to  $t \geq 10$  days

In this way ageing effects of the capacitor structure can be anticipated. Parameter changes due to processing are not to be expected after this period of time

## Humidity Protection Bags

Taped WIMA SMD capacitors are shipped in humidity protection bags according to JEDEC standard, level 1 (EMI/static-shielding bags conforming to MIL-B 81705, Type 1, Class 1). Under controlled conditions the components can be stored two years and more in the originally sealed bag. Opened packing units should be consumed instantly or resealed for specific storage under controlled conditions.

## Reliability

Taking account of the manufacturer's guidelines and compatible processing, the WIMA SMD stand out for the same high quality and reliability as the analogous through-hole WIMA series. The technology of metallized film capacitors used e.g. in WIMA SMD-PET achieves the best values for all fields of application. The expected value is about:

$$\lambda_0 \leq 2 \text{ fit}$$

Furthermore the production of all WIMA components is subject to the regulations

laid down by ISO 9001:2000 as well as the guidelines for component specifications set out by IEC quality assessment system (IECQ-CECC) for electronic components.

## Electrical Characteristics and Fields of Application

Basically the WIMA SMD series have the same electrical characteristics as the analogous through-hole WIMA capacitors. Compared to ceramic or tantalum dielectrics WIMA SMD capacitors have a number of other outstanding qualities :

- favourable pulse rise time
- low ESR
- low dielectric absorption
- available in high voltage series
- large capacitance spectrum
- stand up to high mechanical stress
- good long-term stability

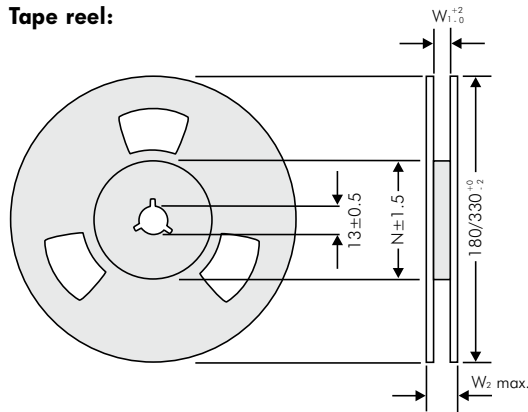
As regards technical performance as well as quality and reliability, the WIMA SMD series offer the possibility to cover nearly all applications of conventionally through-hole film capacitors with SMD components. Furthermore, the WIMA SMD series can now be used for all the demanding capacitor applications for which, in the past, the use of through-hole components was mandatory:

- measuring techniques
- oscillator circuits
- differentiating and integrating circuits
- A/D or D/A transformers
- sample and hold circuits
- automotive electronics

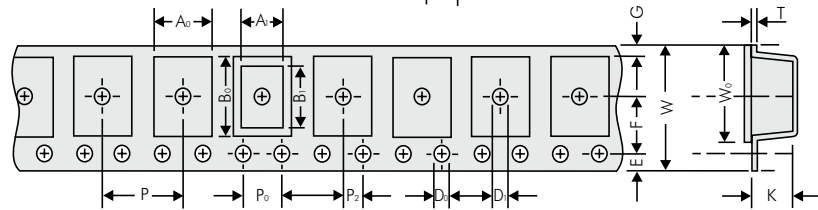
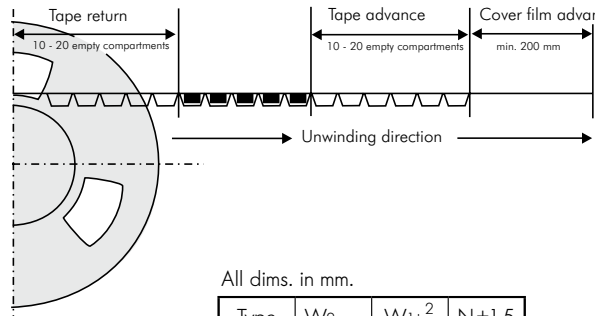
With the WIMA SMD programme available today, the major part of all plastic film capacitors can be replaced by WIMA SMD components. The field of application ranges from standard coupling capacitors to use in switch-mode power supplies as filter or charging capacitors with high voltage and capacitance values, as well as in telecommunications e.g. the well-known telephone capacitor  $1\mu\text{F}/250\text{VDC}$ .

# Blister Tape Packaging and Packing Units of the WIMA SMD Capacitors

**Tape reel:**



**Tape advance and return:**



All dims. in mm.

Type	W <sub>2max</sub>	W <sub>1±0.2</sub>	N±1.5
1812	19	12.4	62
2220	19	12.4	62
2824	19	12.4	62
4030	22.4	16.4	60
5040	30.4	24.4	90
6054	30.4	24.4	90

SMD 1812	A <sub>0</sub> ±0.1	A <sub>1</sub>	B <sub>0</sub> ±0.1	B <sub>1</sub>	D <sub>0</sub> +0.1 -0	D <sub>1</sub> +0.1 -0	P ±0.1	P <sub>0</sub> * ±0.1	P <sub>2</sub> ±0.05	E ±0.1	F ±0.05	G	W ±0.3	W <sub>0</sub> ±0.2	K ±0.1	T ±0.1
Box size																
4.8x 3.3x 3	3.55	3.3	5.1	4.8	∅1.5	∅1.5	8	4	2	1.75	5.5	2.2	12	9.5	3.4	0.3
4.8x 3.3x 4	3.55	3.3	5.1	4.8	∅1.5	∅1.5	8	4	2	1.75	5.5	2.2	12	9.5	4.4	0.3

**Packing units**

taped Reel	taped Reel	bulk
180 mm ∅	330 mm ∅	
750	2500	1000
500	2000	1000

SMD 2220	A <sub>0</sub> ±0.1	A <sub>1</sub>	B <sub>0</sub> ±0.1	B <sub>1</sub>	D <sub>0</sub> +0.1 -0	D <sub>1</sub> +0.1 -0	P ±0.1	P <sub>0</sub> * ±0.1	P <sub>2</sub> ±0.05	E ±0.1	F ±0.05	G	W ±0.3	W <sub>0</sub> ±0.2	K ±0.1	T ±0.1
Box size																
5.7x 5.1x 3.5	6.3	5.7	5.6	5.1	∅1.5	∅1.5	8	4	2	1.75	5.5	1.95	12	9.5	3.7	0.3
5.7x 5.1x 4.5	6.3	5.7	5.6	5.1	∅1.5	∅1.5	8	4	2	1.75	5.5	1.95	12	9.5	4.7	0.3

taped Reel	taped Reel	bulk
180 mm ∅	330 mm ∅	
500	1800	1000
400	1500	1000

SMD 2824	A <sub>0</sub> ±0.1	A <sub>1</sub>	B <sub>0</sub> ±0.1	B <sub>1</sub>	D <sub>0</sub> +0.1 -0	D <sub>1</sub> +0.1 -0	P ±0.1	P <sub>0</sub> * ±0.1	P <sub>2</sub> ±0.05	E ±0.1	F ±0.05	G	W ±0.3	W <sub>0</sub> ±0.2	K ±0.1	T ±0.1
Box size																
7.2x 6.1x 3	6.6	6.1	7.7	7.2	∅1.5	∅1.5	12	4	2	1.75	5.5	0.9	12	9.5	3.4	0.3
7.2x 6.1x 5	6.6	6.1	7.7	7.2	∅1.5	∅1.5	12	4	2	1.75	5.5	0.9	12	9.5	5.4	0.4

taped Reel	bulk
330 mm ∅	
1500	1000
750	1000

	A <sub>0</sub> ±0.1	A <sub>1</sub>	B <sub>0</sub> ±0.1	B <sub>1</sub>	D <sub>0</sub> +0.1 -0	D <sub>1</sub> +0.1 -0	P ±0.1	P <sub>0</sub> * ±0.1	P <sub>2</sub> ±0.05	E ±0.1	F ±0.05	G	W ±0.3	W <sub>0</sub> ±0.2	K ±0.1	T ±0.1
SMD 4030	10.7	10.2	9.7	9.1	∅1.5	∅1.5	16	4	2	1.75	7.5	1.9	16	13.3	5.9	0.3
SMD 5040	13.2	12.7	12.1	11.5	∅1.5	∅1.5	16	4	2	1.75	11.5	4.7	24	21.3	7.0	0.3
SMD 6054	17.0	16.5	15.6	15.0	∅1.5	∅1.5	20	4	2	1.75	11.5	2.95	24	21.3	7.5	0.3

taped Reel	bulk
330 mm ∅	
775	500
600	200
450	200

\* cumulative after 10 steps ± 0.2 mm max.  
Samples and pre-production needs on request or 1 Reel minimum.