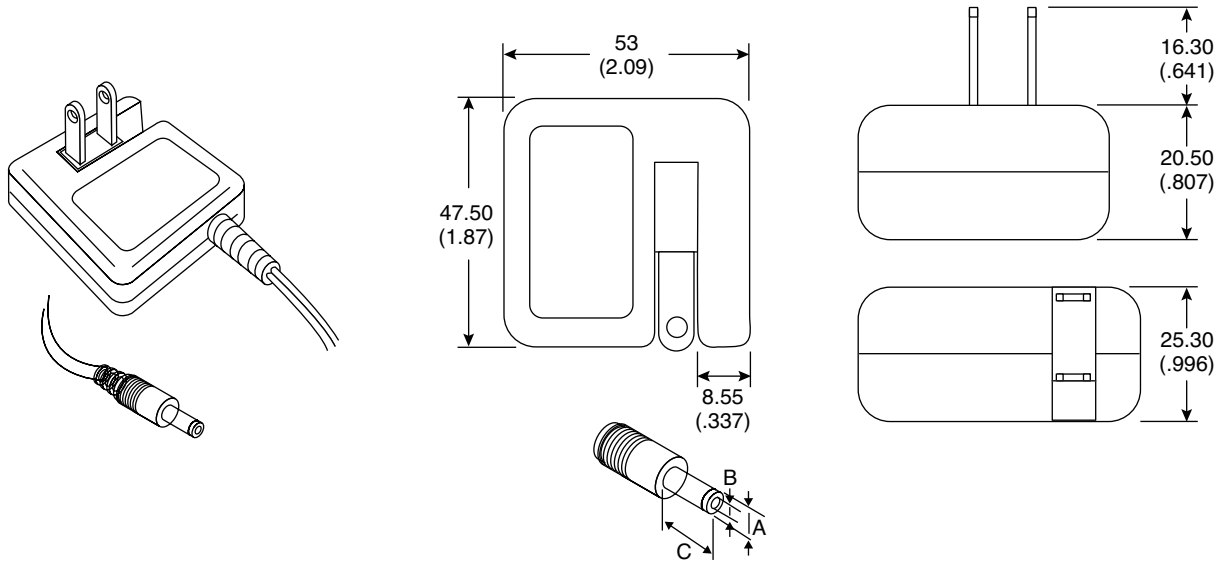




Flip Plug Portable Switching AC/DC Adapters

419-2 Series



File No. E224056

Part No.	Plug Type	Output	
419-20320-3	2.1mm	3VDC	2A
419-20520-1	1.3mm	5VDC	2A
419-20520-2	1.7mm	5VDC	2A
419-20520-3	2.1mm	5VDC	2A
419-20520-4	2.5mm	5VDC	2A
419-20618-3	2.1mm	6VDC	1.8A
419-20913-3	2.1mm	9VDC	1.3A
419-21210-3	2.1mm	12VDC	1.0A

Dimensions: mm (in.)

Part No. Suffix	A	B	C
-1	3.8	1.35	8-14
-2	4.75	1.7	9.5
-3	5.5	2.1	8-14
-4	5.5	2.5	8-14

Input/Output Specifications:

- Input Voltage: 100VAC~120VAC, 50/60Hz
- Range Voltage: 90VAC~132VAC, 47~63Hz
- Output Power: 12W
- Over Current Protection: 120%
- Over Voltage Protection: 120%
- Short Protection: Auto Recovery
- Load Regulation: ±5%

General Specifications:

- Operating Temperature: 0~40°C
- Operating Relative Humidity: 5~95%RH
- Storage Temperature: -20~85°C
- Withstanding Voltage: 2000VAC/min (between Input & Output), 5mA (max.)
- Insulation Resistance: 500VDC 100MΩ (min.) (between Input & Output)
- Efficiency: 70% min.

Note:

- RoHS Compliant by Exemption

Specifications are subject to change without notice. No liability or warranty implied by this information. Environmental compliance based on producer documentation.

